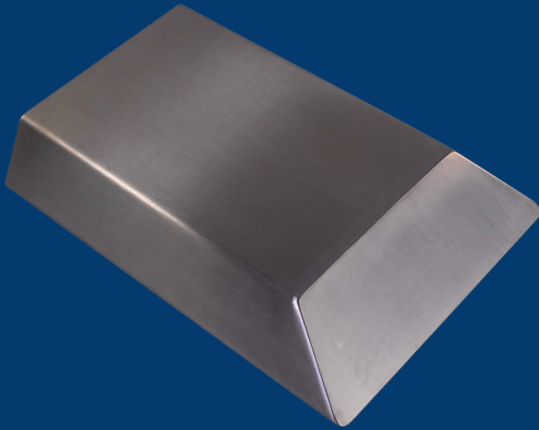
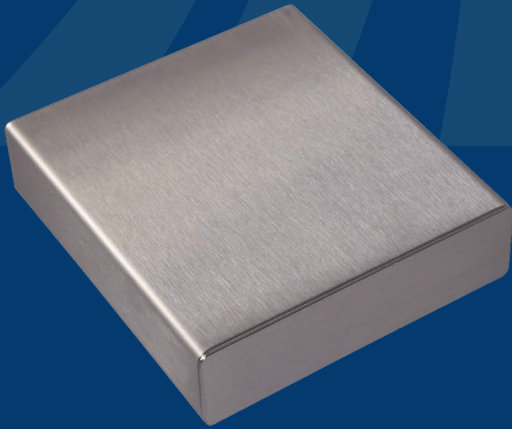




Stainless Steel Sani-Form™ Wall Protection



Life Science Products

124 Speer Road, Chestertown, MD 21620
www.lspinc.com | 800-638-9874 | info@lspinc.com

© 2023 Life Science Products, Inc.

*Low Profile
Wall Mounted
Stainless Steel,
Sani-Form™
Protects
Hygienic Clean Room
Wall Surfaces with
Minimal Intrusion*



Sani-Form™ Features:

- Both Rectangular Flat Face and
- Angled (Trapezoidal) Profiles
- Custom Made Lengths (10' Max)
- Custom Made Widths (8" Tall with
- 6" Face standard on Angled
- Profiles. 5-1/2" Tall Face on
- Rectangular Flat Face Profiles
- Face is 16 Gauge 304 or 316L
- Stainless Steel with a #4 Polish
- Class "A" Fire Rated
- Very Good Impact Resistance
- Wall Mounting Bracket of 18 Ga.
- Stainless Steel - Mill Finish
- Factory formed Mounting Tabs
- and Mounting Holes
- Made in U.S.A.

Sani-Form™ General Description:

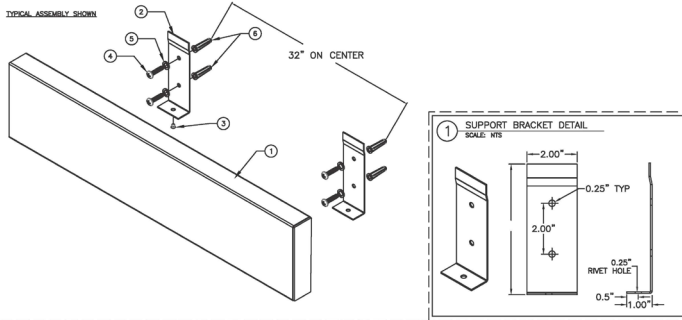
Sani-Form™ from Life Science Products is a low profile, Stainless Steel wall protection system for hygienic clean rooms, pharma production facilities, critical healthcare spaces, bio-medical research labs, or anywhere an attractive wall protection system is required.

Sani-Form™ can be custom made to lengths and widths as required. Standard profiles include a 16 gauge stainless steel, 5-1/2" high Rectangular Flat Face, and 8" high (6" Face) Angled (Trapezoidal) Face. The 2" deep two-piece system is easily cleaned and protects hygienic wall surfaces with minimal intrusion into corridors or room interiors. The formed 18 gauge mill finish stainless steel mounting brackets are attached directly to the wall surface. Mounting brackets all have factory drilled mounting holes.

Sani-Form™ Sample Details:

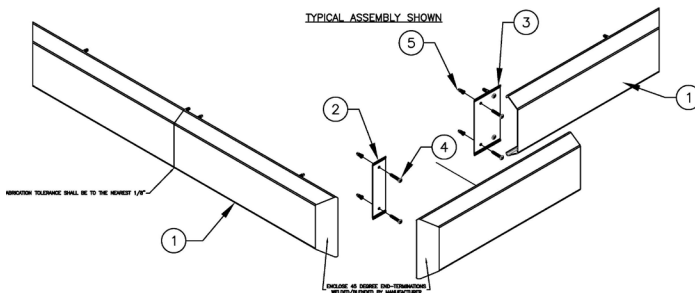
STAINLESS STEEL SANI-FORM™ CRASH RAIL

PARTS LIST				
ITEM #	DESCRIPTION	QTY	CONTRACTOR	PRODUCT CODE
1	SANI-FORM™ CRASH RAIL - 16GA (.063") TYPE 304 ALLOY STAINLESS STEEL W/ #4 FINISH		CD METALS	SFCR64-FF
2	MOUNTING BRACKET - 18GA TYPE 304 ALLOY STAINLESS STEEL W/ MILL FINISH		CD METALS	SFCR-MBRK
3	STAINLESS STEEL POP RIVET		CD METALS	SSCR-RVT
4	1/4" X 1.5" PHILLIPS PAN HEAD, STAINLESS STEEL SELF TAPPING SCREW		CD METALS	SSPH-SS150
5	STAINLESS STEEL WASHER		CD METALS	SSWR-SS250
6	1/4" PLASTIC CONICAL ANCHOR		CD METALS	PST-CA



STAINLESS STEEL SANI-FORM™ CRASH RAIL

PARTS LIST				
ITEM #	DESCRIPTION	QTY	CONTRACTOR	PRODUCT CODE
1	SANI-FORM™ CRASH RAIL - 16GA (.063") TYPE 304 ALLOY STAINLESS STEEL W/ #4 FINISH	X	CD METALS	SFCR-604
2	MOUNTING BRACKET - 18GA TYPE 304 ALLOY STAINLESS STEEL W/ MILL FINISH	X	CD METALS	SFCR-MBRK
3	SPLICE BRACKET - 18GA TYPE 304 ALLOY STAINLESS STEEL W/ MILL FINISH	X	CD METALS	SS-JBRK
4	1/4" X 1.5" PHILLIPS PAN HEAD, STAINLESS STEEL SELF TAPPING SCREW (WILL VARY PER SUBSTRATE)	X	CD METALS	SSPH-SS150
5	1/4" PLASTIC CONICAL ANCHOR	X	CD METALS	PST-CA



Sani-Form™ Properties:

16 Gauge 304 or 316L
Stainless Steel Faces
with a #4 Polish

Class "A" Fire Rated

5-1/2" Height
Rectangular Flat Face

8" Height and 6" Face on
Angled (Trapezoidal) Face

1-1/2" Depth for
Rectangular Sani-Form™

2" Depth for Angled
(Trapezoidal) Sani-Form™

Factory Formed
18 Gauge Mill Finish
Stainless Steel Mounting
Brackets

Factory Finished Stainless
Steel Ends

Custom Made to
Field Provided Dimensions
(10' Maximum Length)

Made in the U.S.A.

Lifetime Limited Warranty

Life Science Products have been in demand by these and other highly respected institutions:

Bristol Meyer Squib | Children's Mercy | Cleveland Clinic | CalTech Univ. | Dana Farber | Duke University
Emory University | F.D.A. | Harvard University | M.D. Anderson | NIH | Novartis | Northwestern University
Ohio State U. | Pfizer | Princeton University | Regeneron | University of North Carolina | Yale University