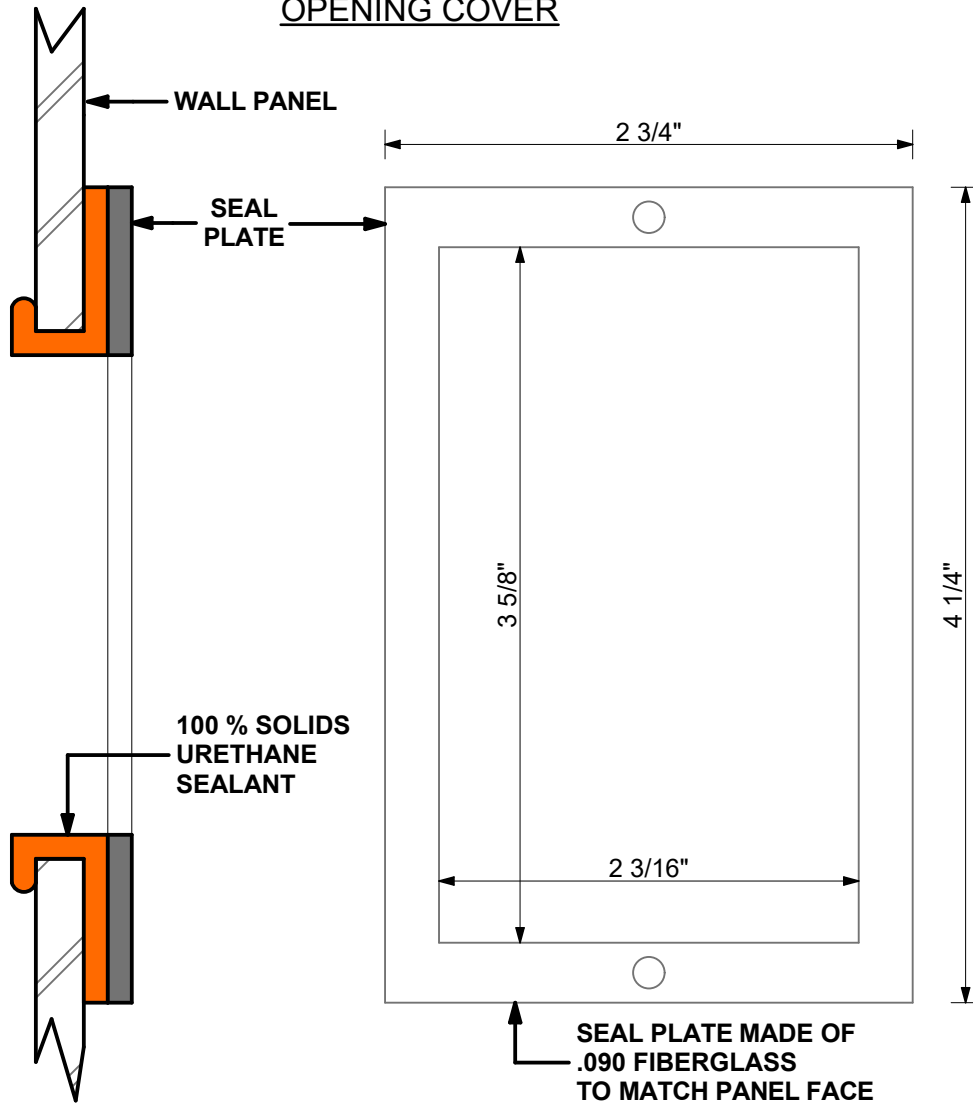


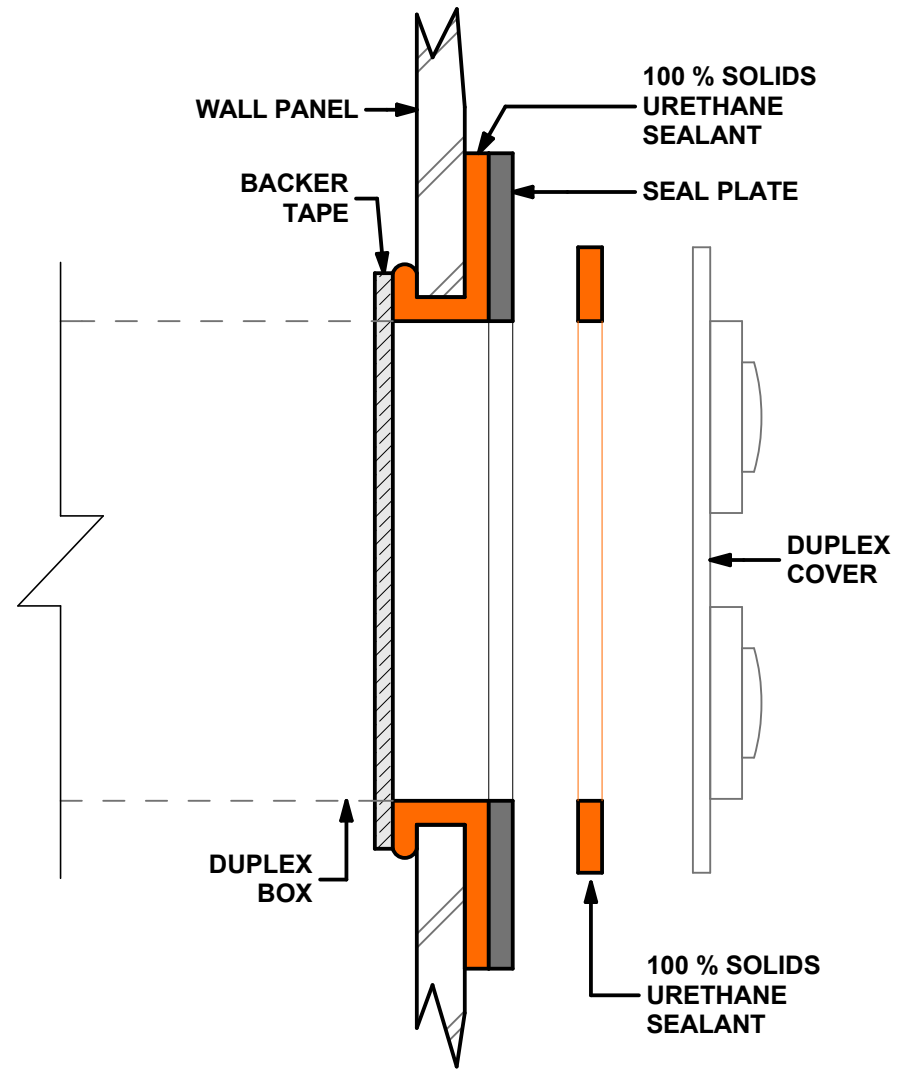
**THROUGH WALL  
OPENING COVER**



**SIDE VIEW**

**FRONT VIEW**

**THROUGH WALL  
DUPLEX BOX DETAIL**



**SIDE VIEW**

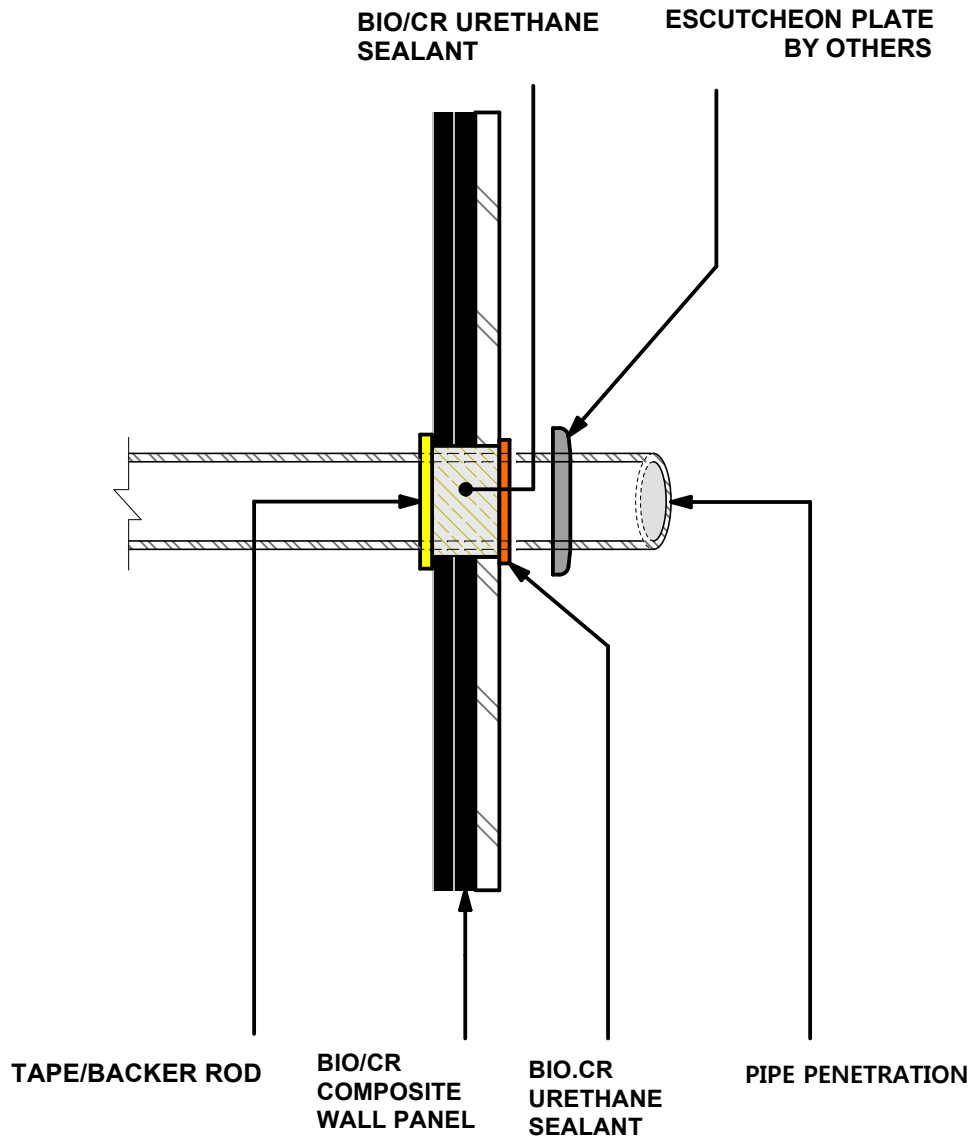
**ELECTRICAL THROUGH WALL PENETRATION DETAIL**



Life Science Products, Inc.  
124 Speer Road - Chestertown, MD 21620  
www.lspinc.com

800-638-9874  
(410) 778-6474  
Fax (410) 778-4076

Size	Cage Code	Drawing Number	Rev
		E01	
Scale	Date	Sheet	
	7 FEB 16		



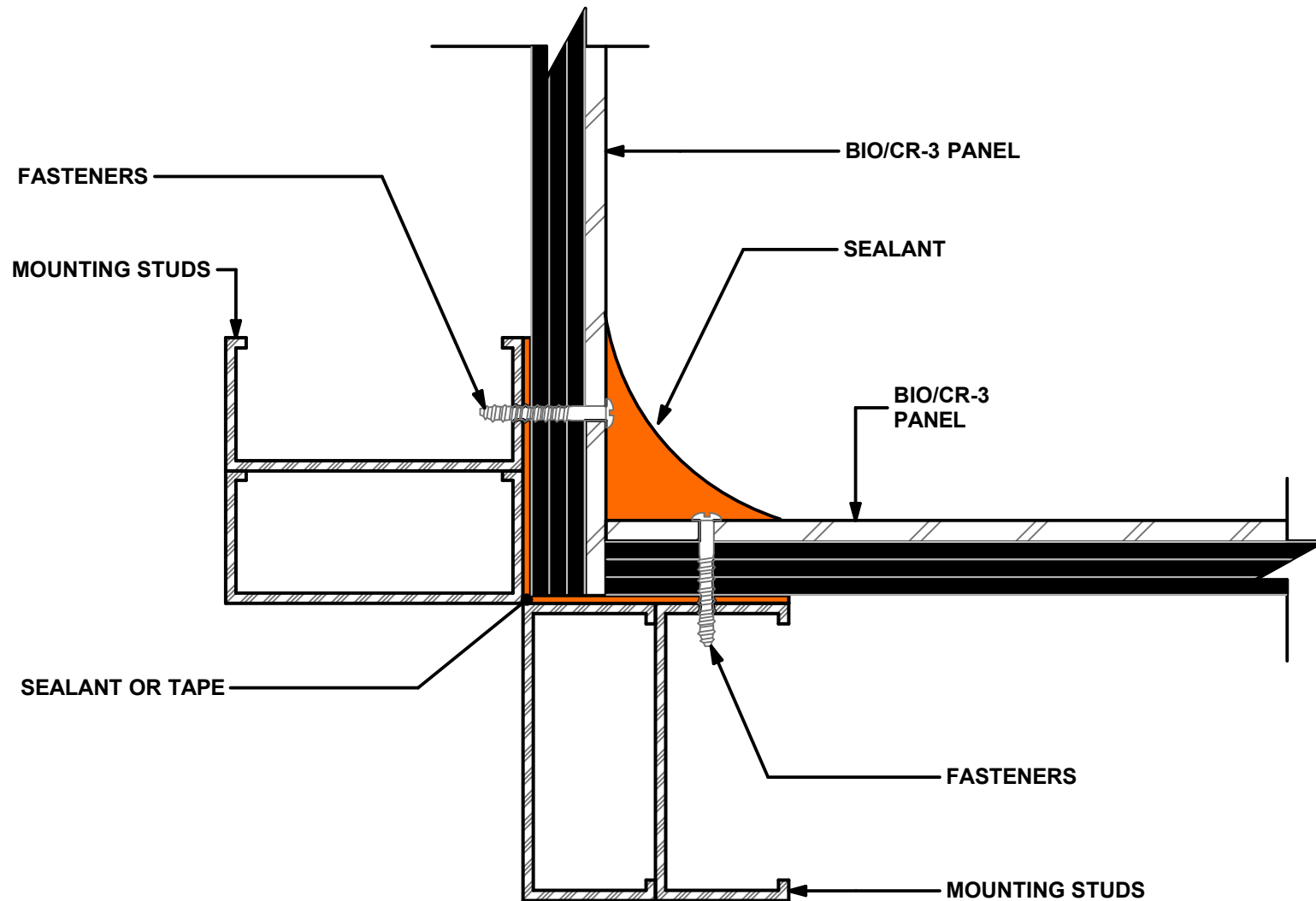
## Bio/CR Panel Through Wall Penetration - Pipe



Life Science Products, Inc.  
 124 Speer Road - Chestertown, MD 21620  
[www.lspinc.com](http://www.lspinc.com)

800-638-9874  
 (410) 778-6474  
 Fax (410) 778-4076

Size	Cage Code	Drawing Number	Rev
		GLWBCR62	4.17
Scale	Date	Sheet	

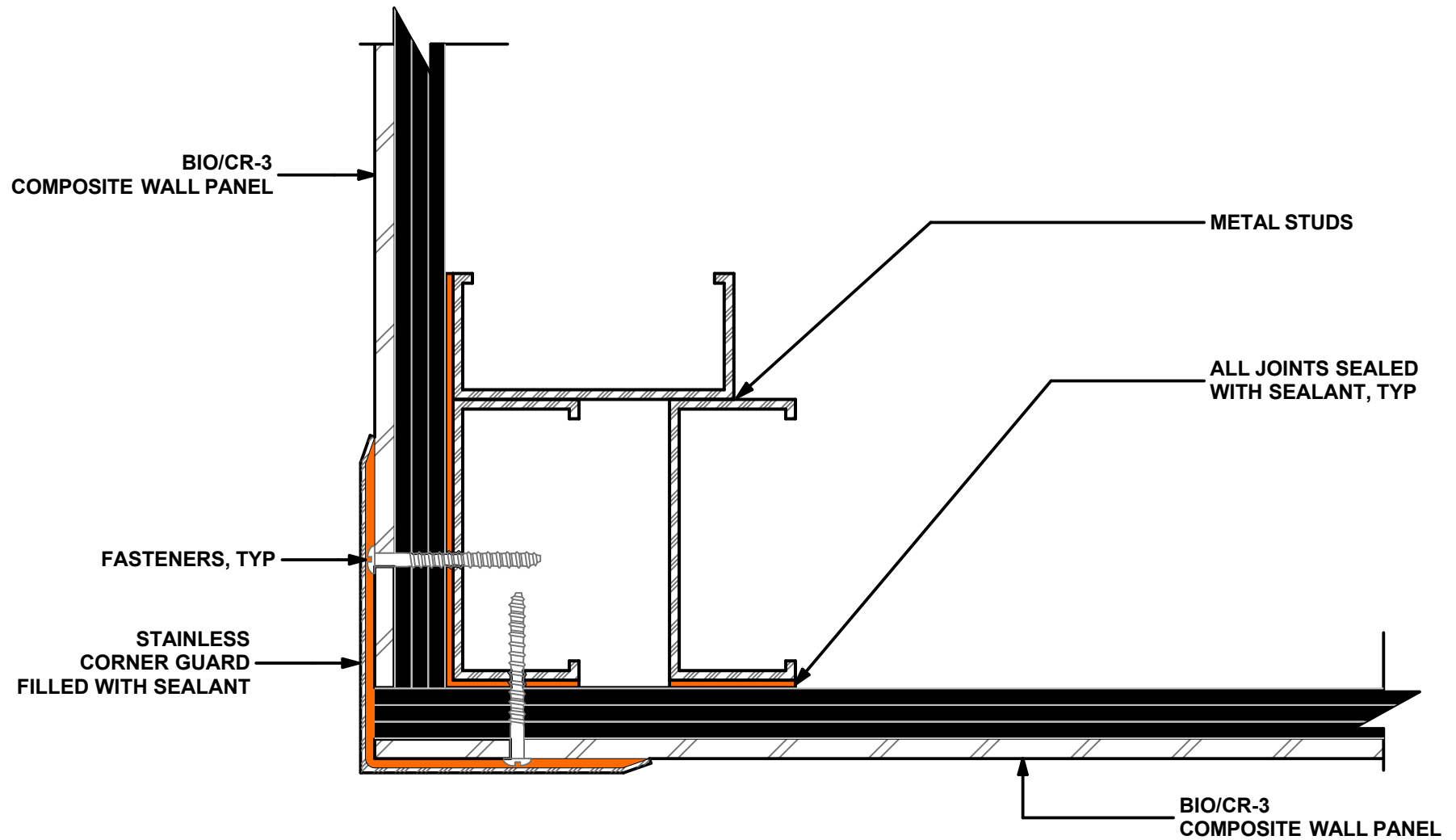


### Bio/CR-3 Inside Clean Corner Detail



Life Science Products, Inc.  
 124 Speer Road - Chestertown, MD 21620  
 www.lspinc.com

800-638-9874	Size	Cage Code	Drawing Number	Rev
(410) 778-6474			GLWBCR9	11.15
Fax (410) 778-4076	Scale			Sheet
	6" = 1'-0"			



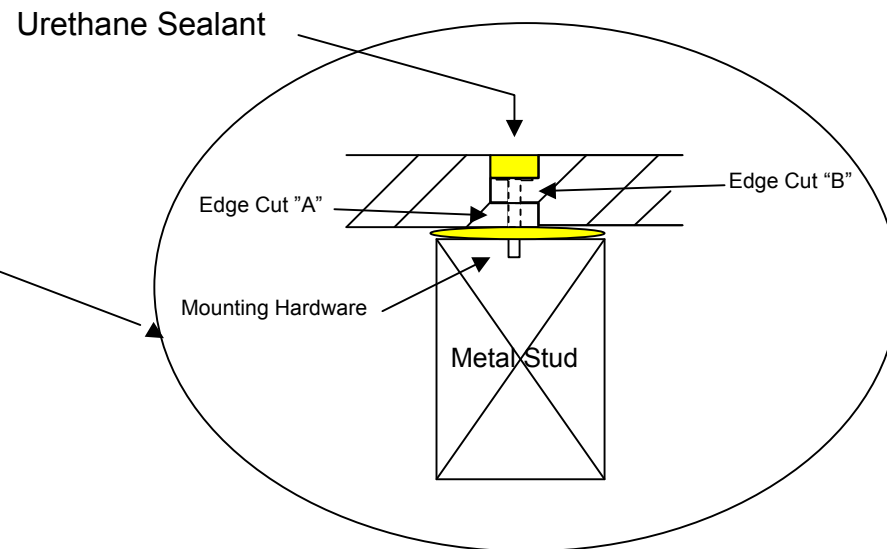
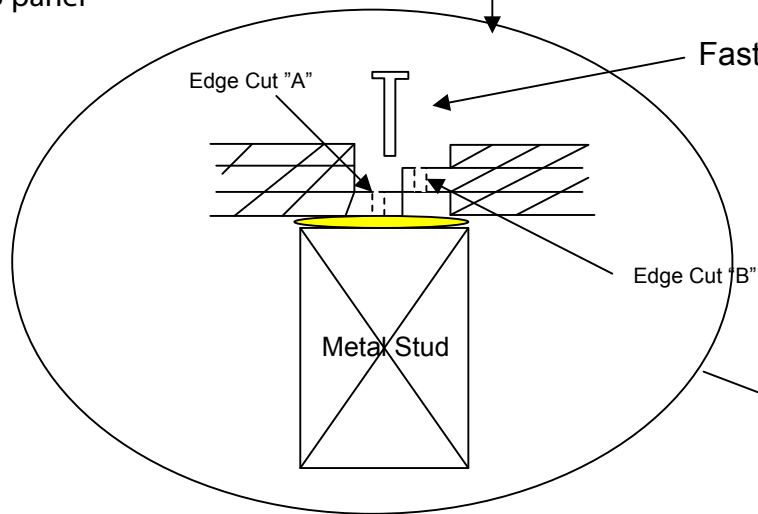
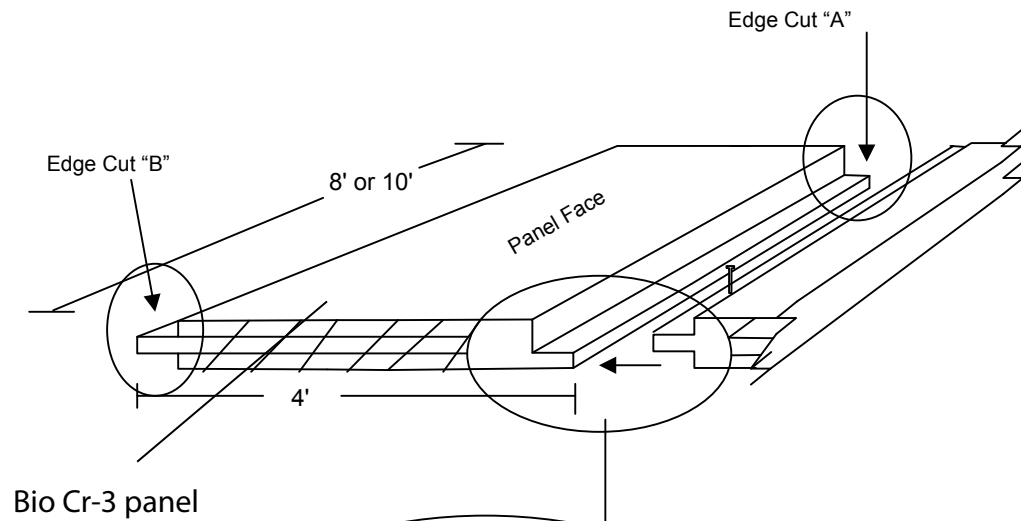
### Bio/CR-3 Outside Corner Detail (top view)



Life Science Products, Inc.  
 124 Speer Road - Chestertown, MD 21620  
 www.lspinc.com

800-638-9874  
 (410) 778-6474  
 Fax (410) 778-4076

Size	Cage Code	Drawing Number	Rev
		GLWBCR10	11.15
Scale	Sheet		
6" = 1'-0"			



Title **Bio CR- 3 Seamless Installation Details**



**Life Science Products, Inc.**  
 124 Speer Road - Chestertown, MD 21620  
 www.lspinc.com

800-638-9874  
 (410) 778-6474  
 Fax (410) 778-4076

Size  
 A  
 Scale  
 NTS

Cage Code

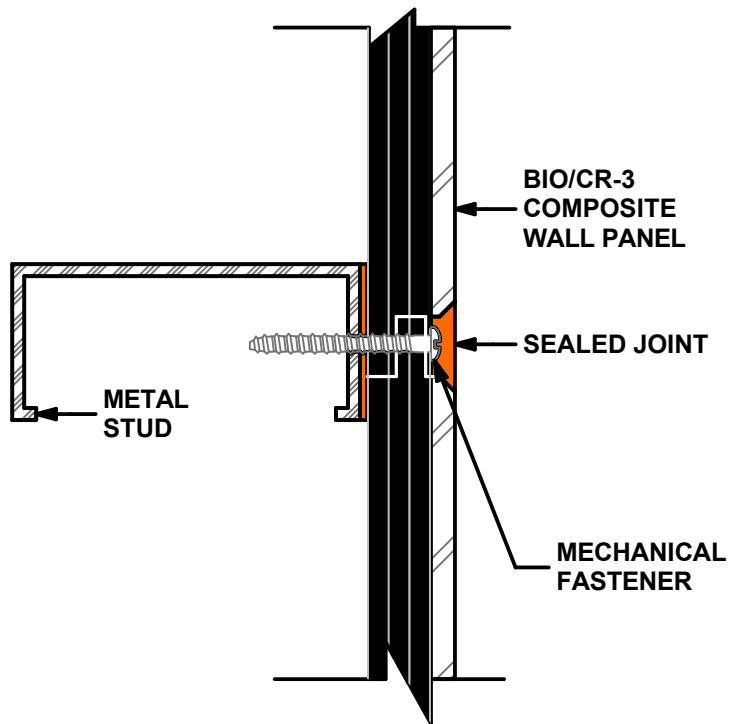
Dwg Number

GLWBCR12

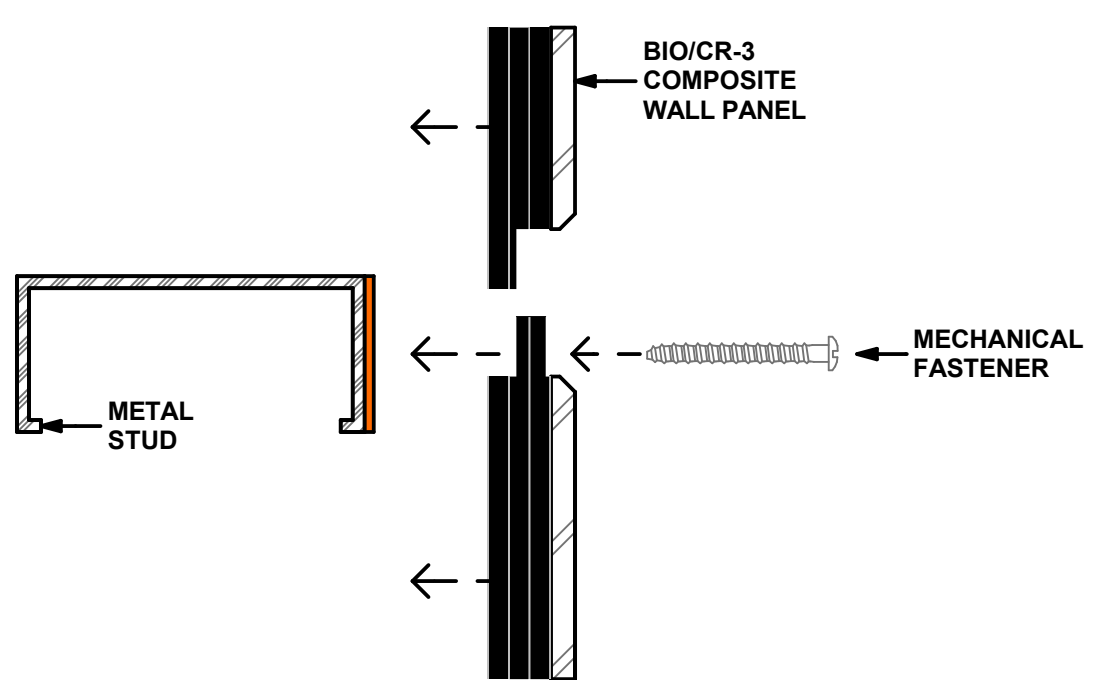
Sheet

Rev  
 1.14

**Finished View**



**Exploded View**

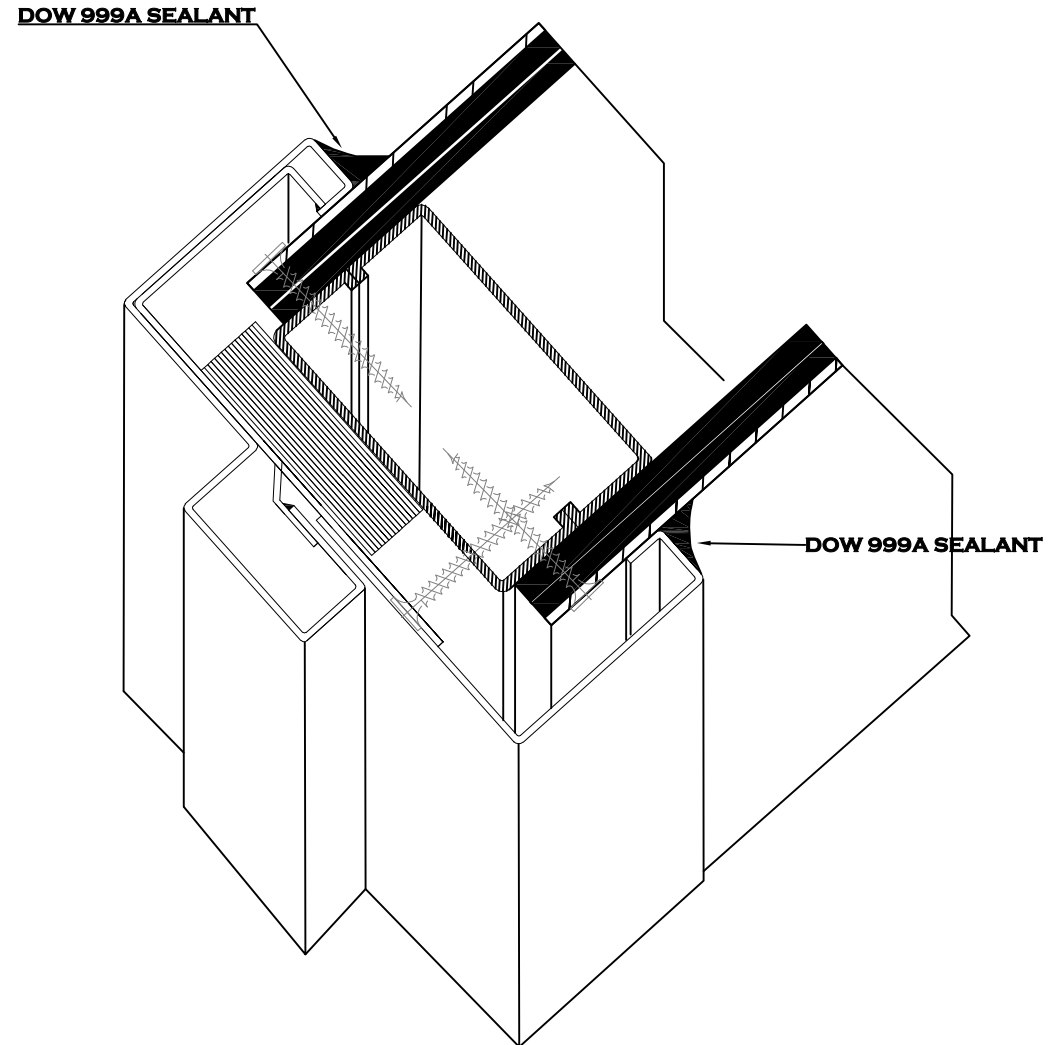
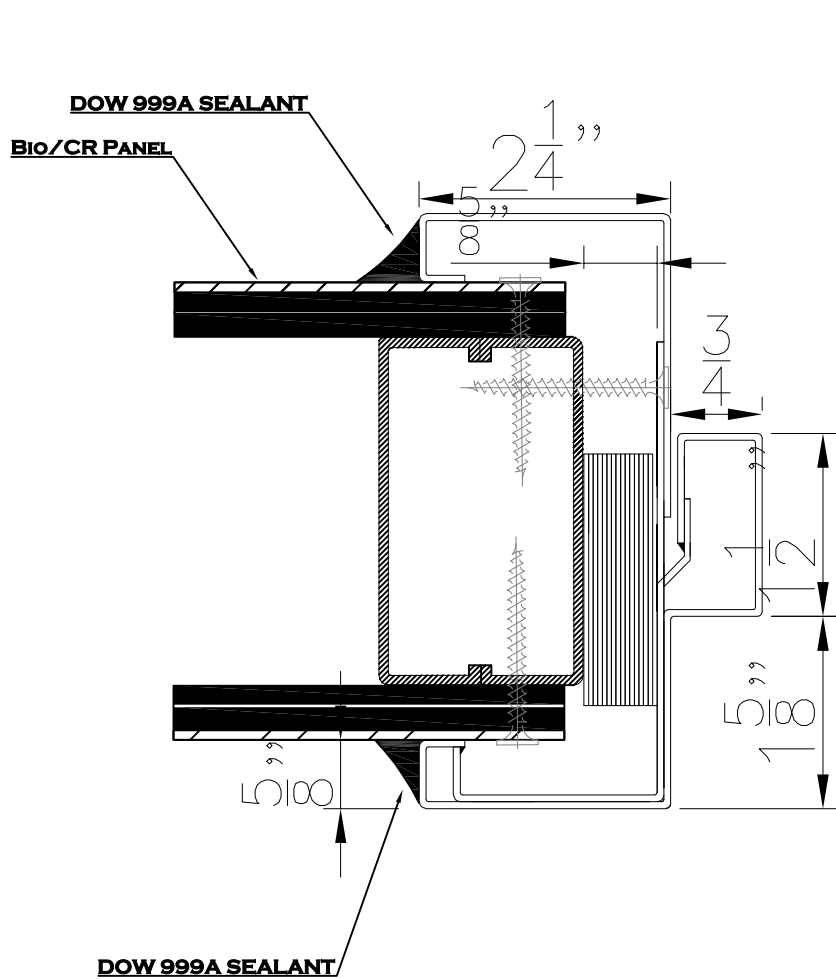


**Bio/CR-3 Clean Room Joint Detail**



Life Science Products, Inc.  
 124 Speer Road - Chestertown, MD 21620  
 www.lspinc.com

800-638-9874	Size	Cage Code	Drawing Number	Rev
(410) 778-6474			GLWBCR31	11.15
Fax (410) 778-4076	Scale			Sheet
	6" = 1'-0"			



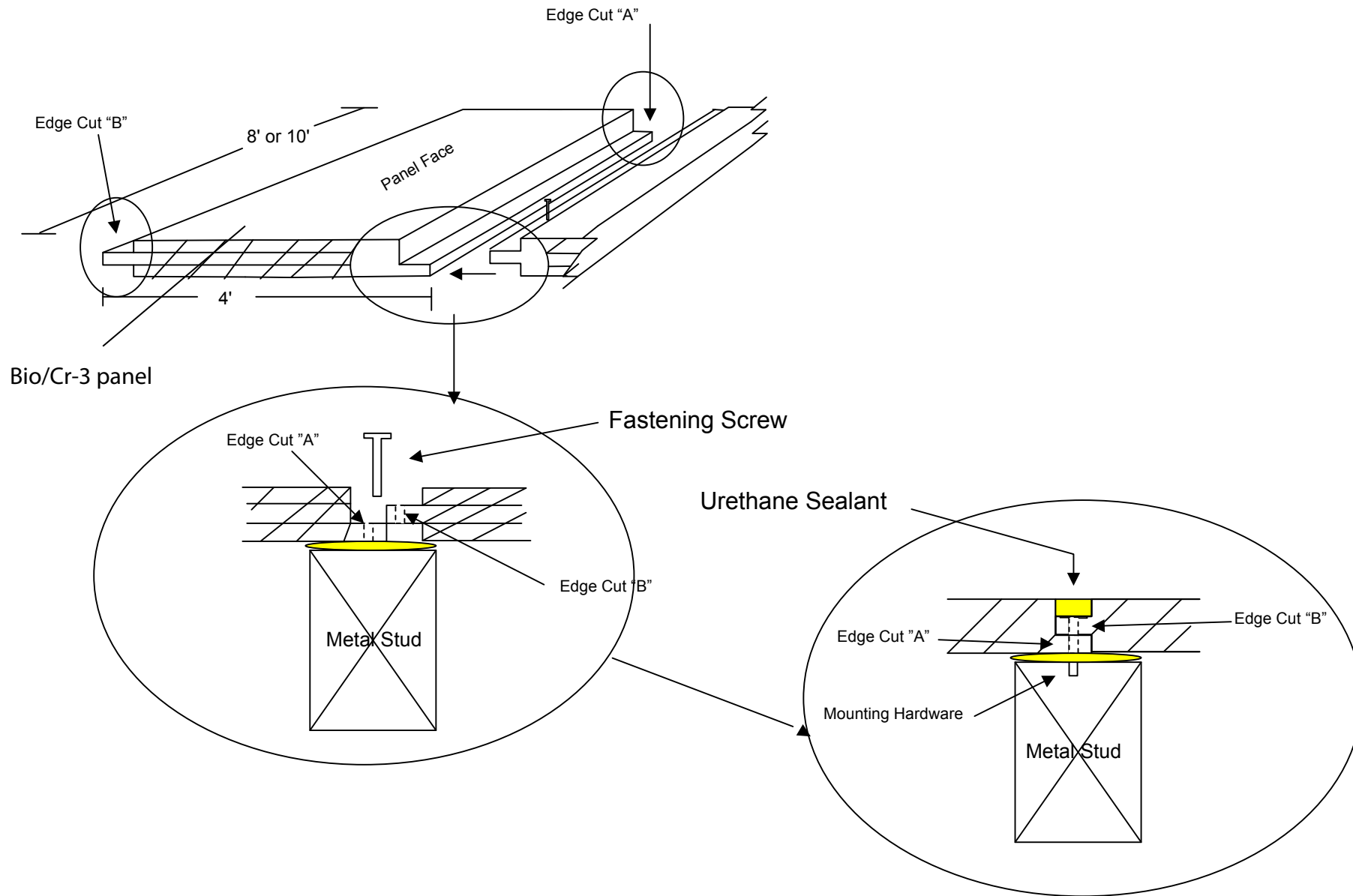
**Bio/CR PANEL DOOR FRAME SEALING DETAIL, 2 PIECE S.S. WRAP FRAME IN PLACE**



Life Science Products, Inc.  
 124 Speer Road - Chestertown, MD 21620  
 www.lspinc.com

800-638-9874  
 (410) 778-6474  
 Fax (410) 778-4076

Size	Cage Code	Drawing Number	Rev
		GLWBCR81	6.19
Scale	Date	Sheet	
NTS			



Title **Bio/CR- 3 Seamless Installation Details**



**Life Science Products, Inc.**  
 124 Speer Road - Chestertown, MD 21620  
 www.lspinc.com

800-638-9874  
 (410) 778-6474  
 Fax (410) 778-4076

Size  
 A  
 Scale  
 NTS

Cage Code

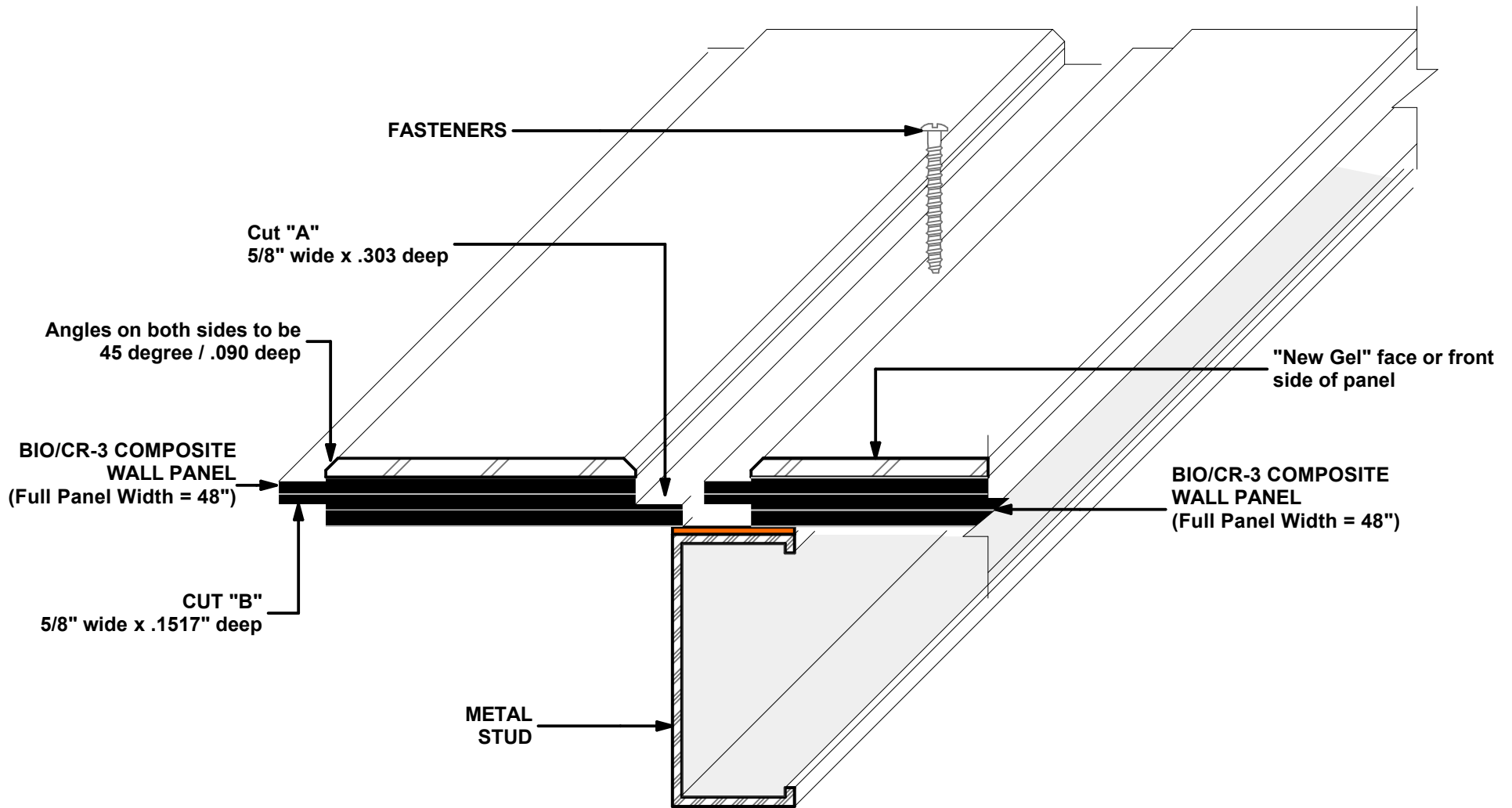
Dwg Number

GLWBCR

Sheet

Rev  
 3.18





## Proposed Edging for LSP's Bio/CR-3 Panels



Life Science Products, Inc.  
 124 Speer Road - Chestertown, MD 21620  
 www.lspinc.com

800-638-9874  
 (410) 778-6474  
 Fax (410) 778-4076

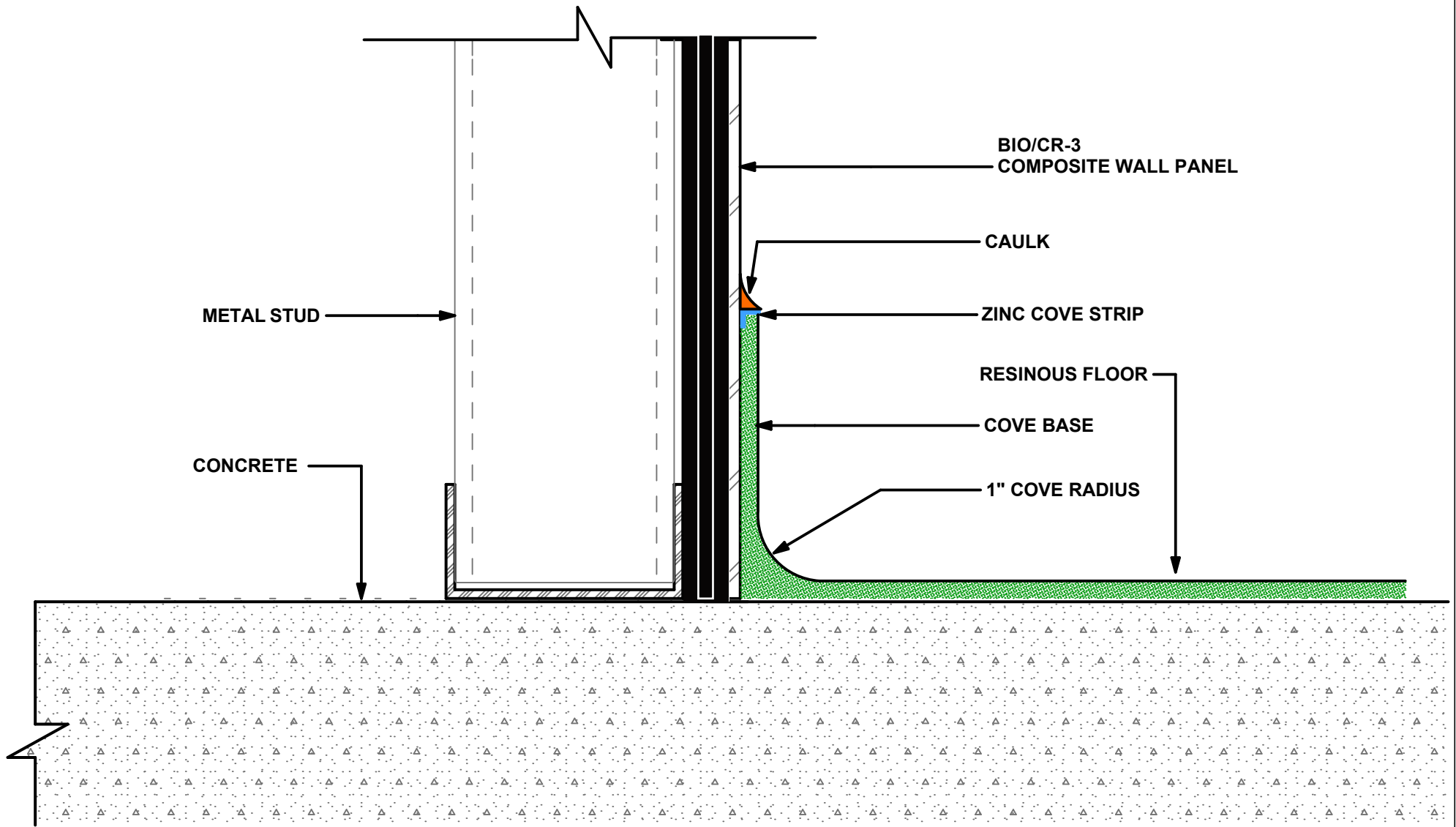
Size  
 Scale  
 N/A

Cage Code

Drawing Number  
 GLWBCR78

Rev  
 7.18

Sheet



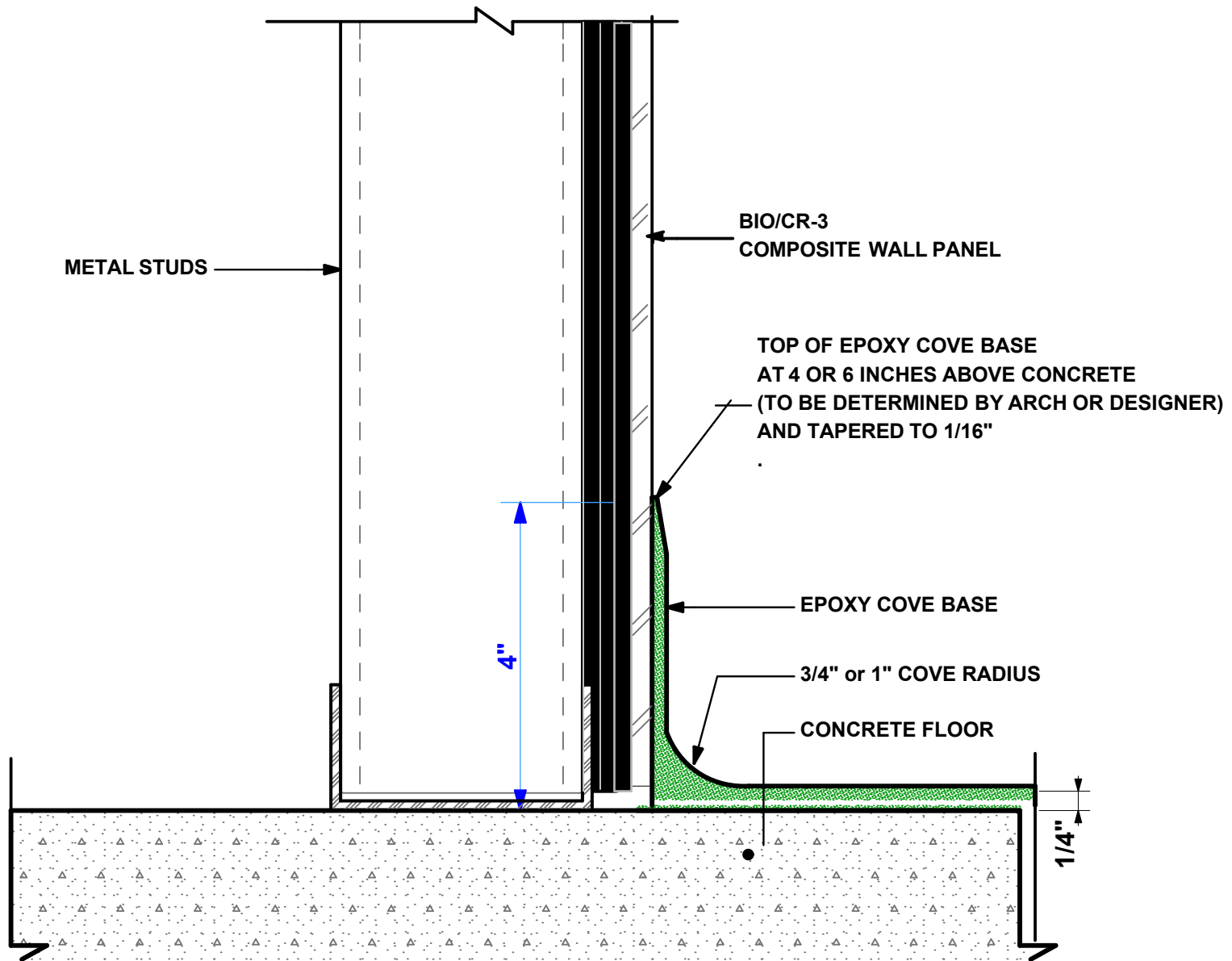
### Bio/CR-3 Standard Cove Base Details - End View



Life Science Products, Inc.  
 124 Speer Road - Chestertown, MD 21620  
 www.lspinc.com

800-638-9874  
 (410) 778-6474  
 Fax (410) 778-4076

Size	Cage Code	Drawing Number	Rev
		GLWBCR93	11.15
Scale	Sheet		



### Bio/CR-3 Clean Room Cove Base Detail w/ Tapered Cove Base



Life Science Products, Inc.  
124 Speer Road - Chestertown, MD 21620  
www.lspinc.com

800-638-9874  
(410) 778-6474  
Fax (410) 778-4076

Size	Cage Code	Drawing Number	Rev
		GLWBCR- 98	10.17
Scale	Date	Sheet	
NTS			