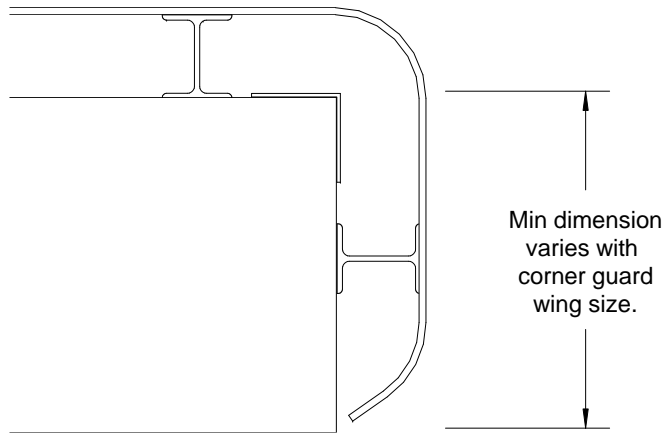
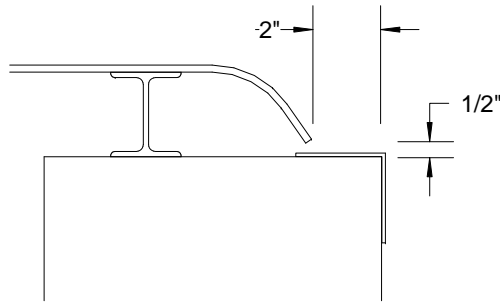


Note: Selected applicable details from this page which are indicated on sheet SR- are typical for any and all similar conditions which exist on sheet SR-.

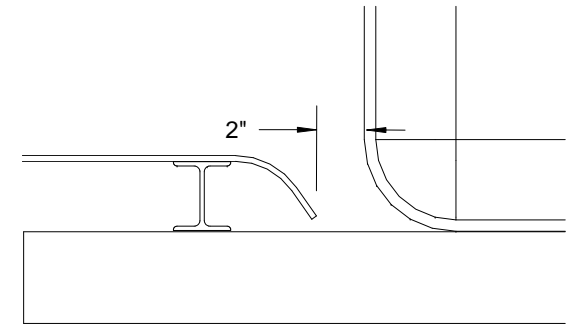


15 Detail at end wall with corner guard

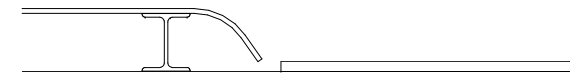
Min dimension varies with corner guard wing size.



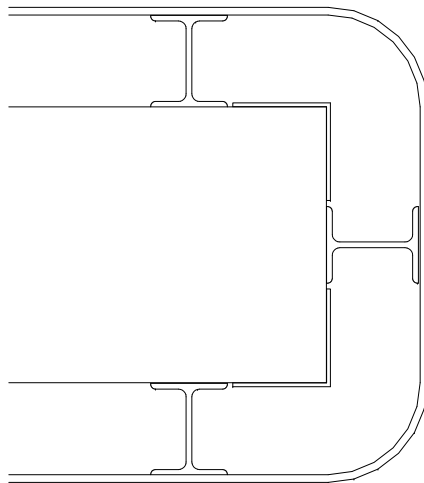
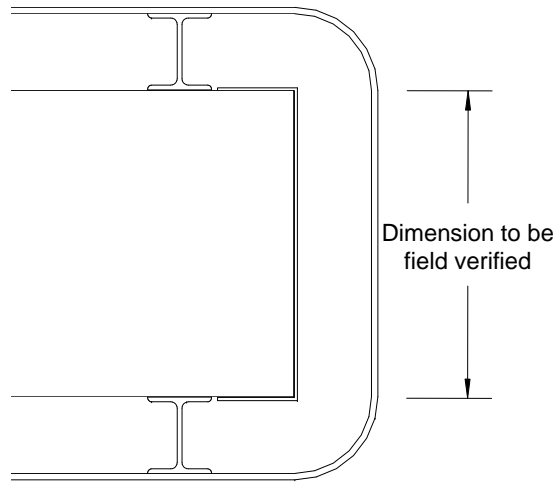
16 Return bend at corner guard



17 Return bend at sink, etc



18 Detail at wall end with "U" shaped end cap corner guard or two "L" shaped corner guards and bracket on end wall



20 Return bend at elec. panel, F.E. cabinet, etc.

Min. end wall dimension to allow for bracket placement varies with corner guard wing length

19 Detail at end wall with corner guard

Dimension to be field verified

TITLE

### Sani-Rail® Standard Config 3



**Life Science Products, Inc.**  
124 Speer Road - Chestertown, MD 21620  
www.LSPinc.com

800-638-9874  
(410)778-6474  
Fax (410)778-4076

SIZE <b>A</b>	CAGE CODE	DWG NO <b>Config3_6.03</b>	REV
SCALE	SHEET		