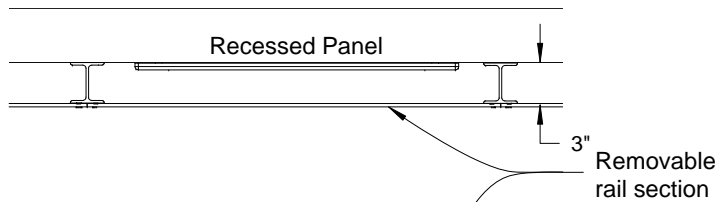
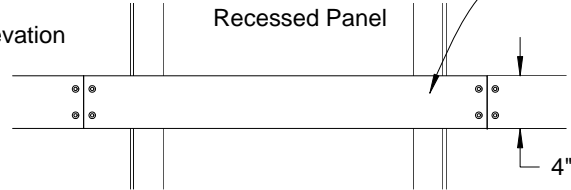


Note: Selected applicable details from this page which are indicated on sheet SR- are typical for any and all similar conditions which exist on sheet SR-.

Plan View

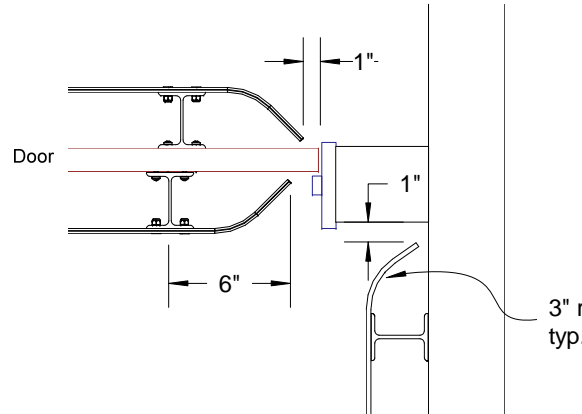


Elevation

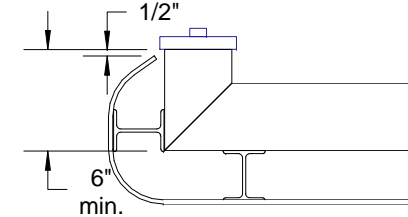
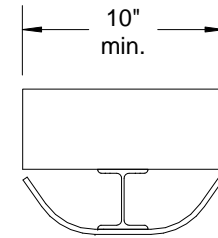


9 Removable rail section at recessed access panels, etc.

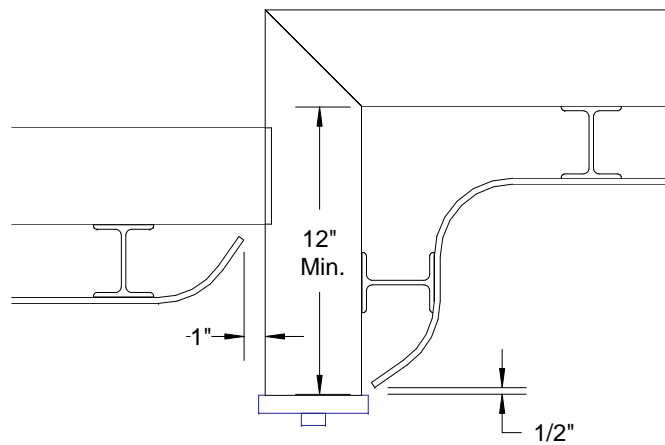
10 Return bend detail at push and pull side of door



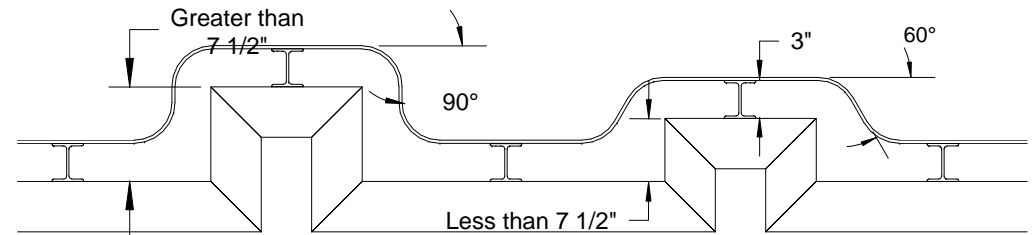
11 Minimum wall section coverage



13 Minimum wall length from outside corner to door buck



12 Inside corner at end wall



14 Continuous rail at columns

TITLE

Sani-Rail® Standard Config 2



Life Science Products, Inc.
 124 Speer Road - Chestertown, MD 21620
 www.LSPinc.com

800-638-9874
 (410)778-6474
 Fax (410)778-4076

SIZE A	CAGE CODE	DWG NO Config2_6.02	REV
SCALE	SHEET		