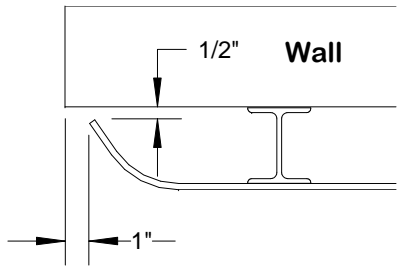
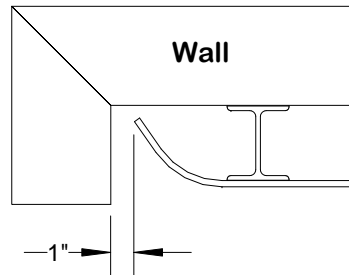


Note: Selected applicable details from this page which are indicated on sheet SR- are typical for any and all similar conditions which exist on sheet SR-.

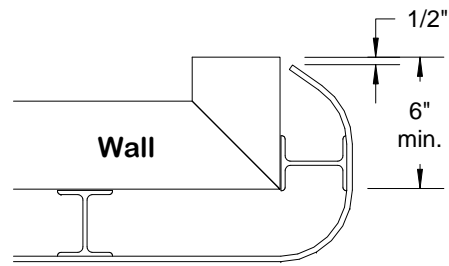
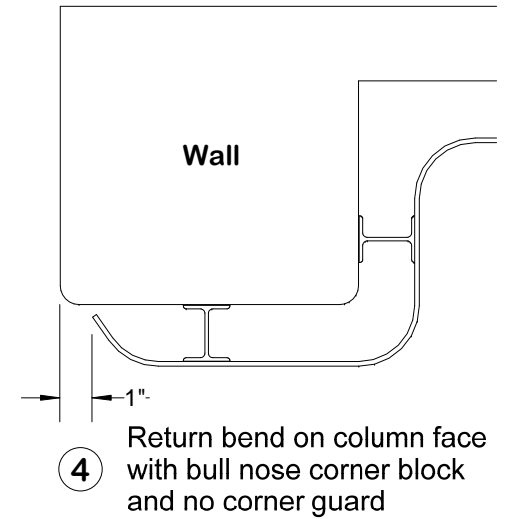
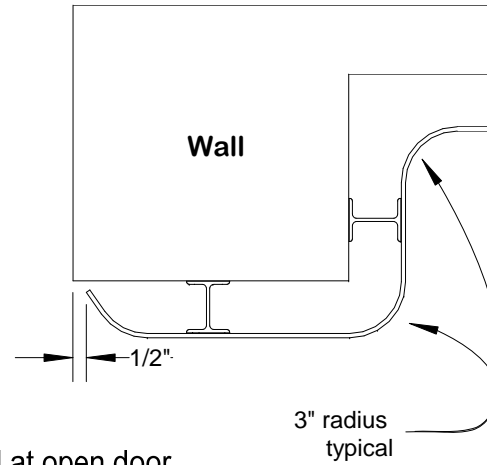
① Return bend at corner with no corner guard



② Return bend at column and at end wall

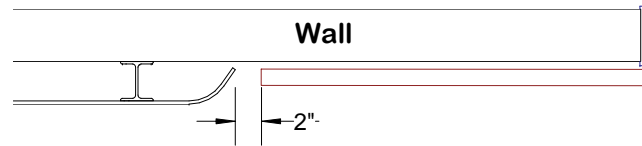


③ Return bend on column face-square corner drywall or block without corner guard

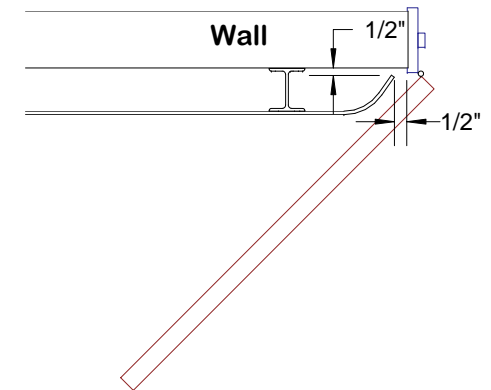


⑤ Detail at wall end without corner guard

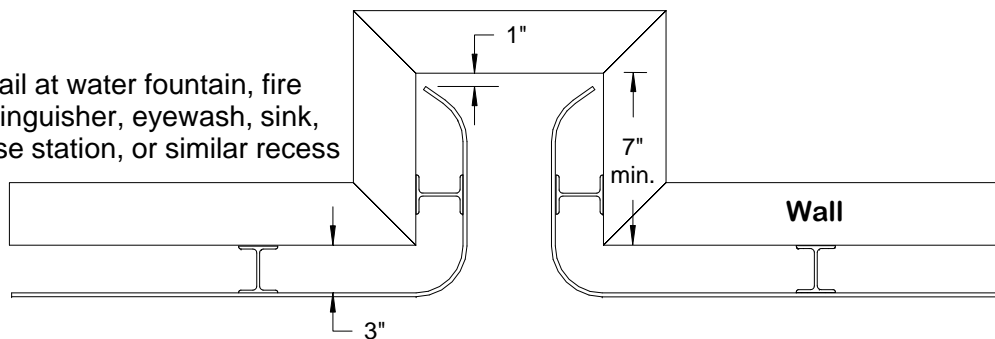
⑥ Return bend at open door



⑦ Return bend at open door-full wall coverage



⑧ Detail at water fountain, fire extinguisher, eyewash, sink, hose station, or similar recess



TITLE **Sani-Rail® Standard Config 1**



Life Science Products, Inc.
124 Speer Road - Chestertown, MD 21620
www.LSPinc.com

800-638-9874
(410)778-6474
Fax (410)778-4076

SIZE A	CAGE CODE	DWG NO	config1_6.01	REV
SCALE			SHEET	