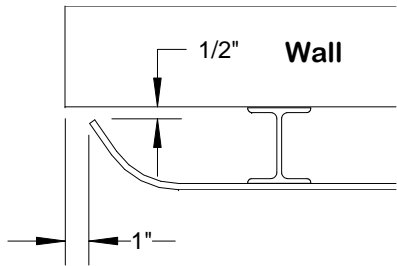
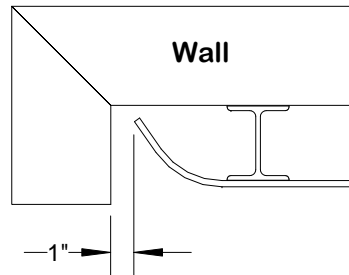


Note: Selected applicable details from this page which are indicated on sheet SR- are typical for any and all similar conditions which exist on sheet SR-.

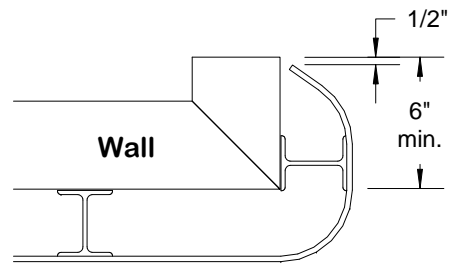
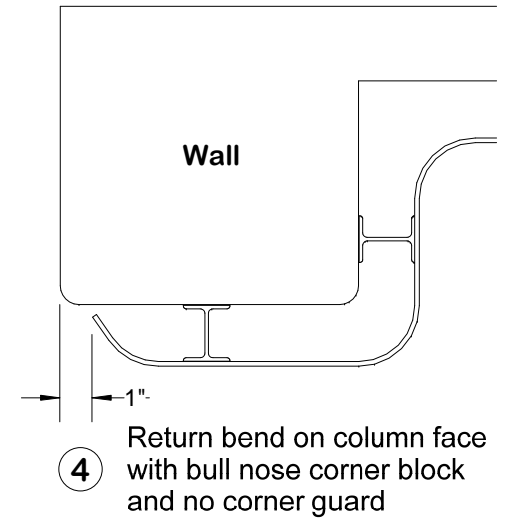
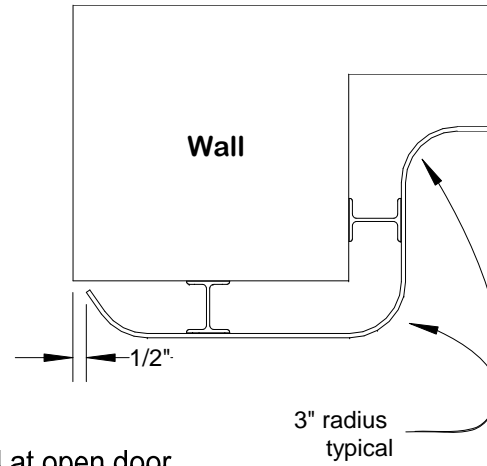
① Return bend at corner with no corner guard



② Return bend at column and at end wall

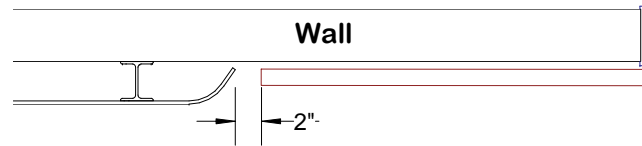


③ Return bend on column face-square corner drywall or block without corner guard

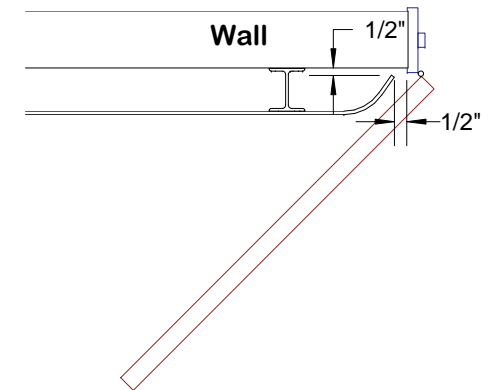


⑤ Detail at wall end without corner guard

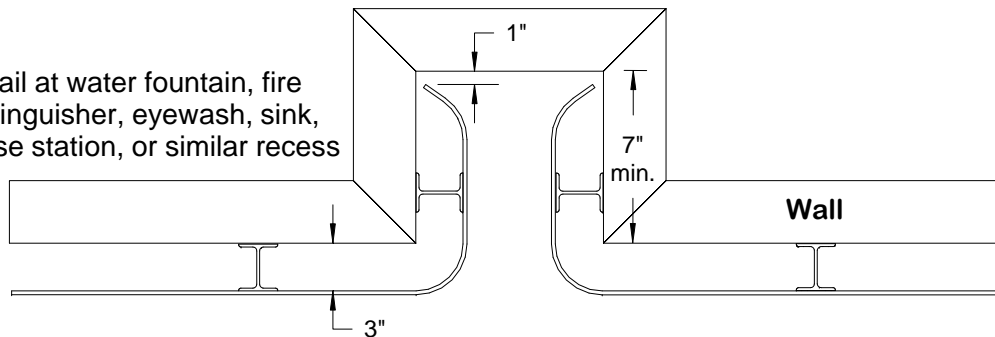
⑥ Return bend at open door



⑦ Return bend at open door-full wall coverage



⑧ Detail at water fountain, fire extinguisher, eyewash, sink, hose station, or similar recess



TITLE **Sani-Rail® Standard Config 1**



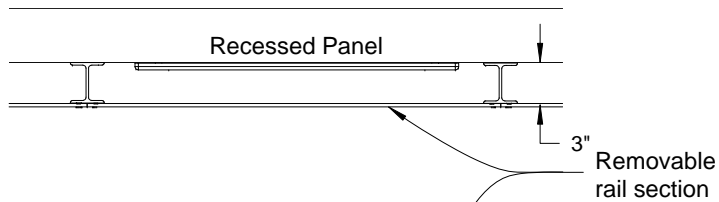
Life Science Products, Inc.
124 Speer Road - Chestertown, MD 21620
www.LSPinc.com

800-638-9874
(410)778-6474
Fax (410)778-4076

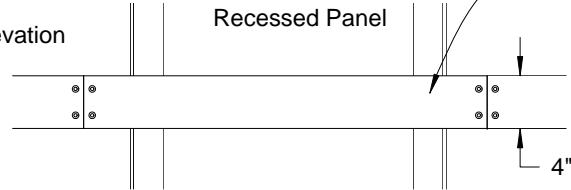
SIZE A	CAGE CODE	DWG NO config1_6.01	REV
SCALE	SHEET		

Note: Selected applicable details from this page which are indicated on sheet SR- are typical for any and all similar conditions which exist on sheet SR-.

Plan View

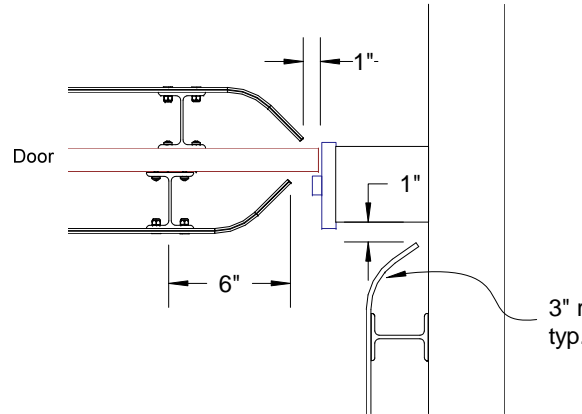


Elevation

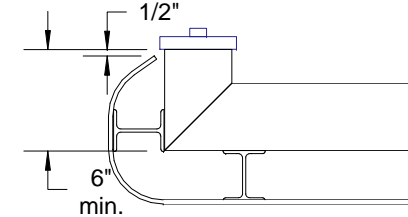
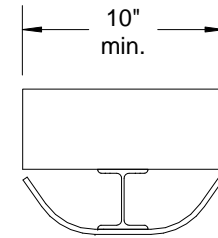


9 Removable rail section at recessed access panels, etc.

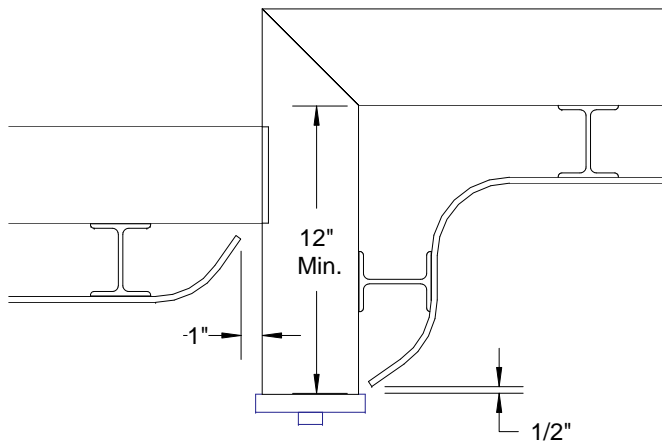
10 Return bend detail at push and pull side of door



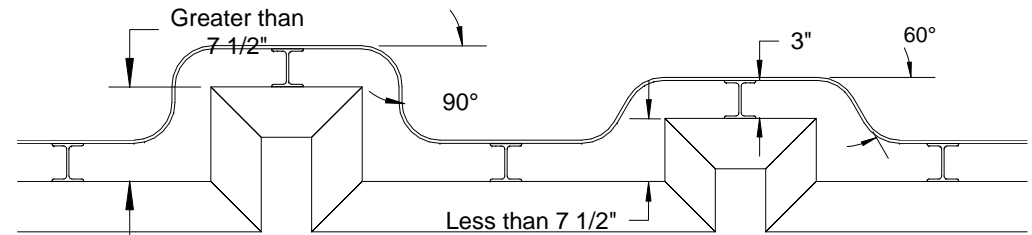
11 Minimum wall section coverage



13 Minimum wall length from outside corner to door buck



12 Inside corner at end wall



14 Continuous rail at columns

TITLE

Sani-Rail® Standard Config 2

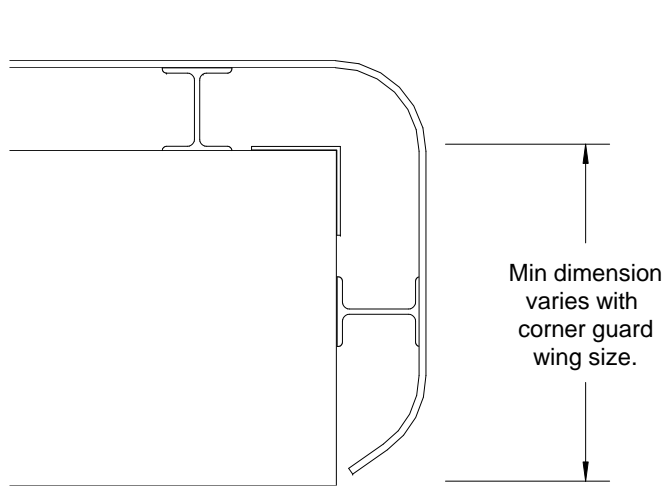


Life Science Products, Inc.
 124 Speer Road - Chestertown, MD 21620
 www.LSPinc.com

800-638-9874
 (410)778-6474
 Fax (410)778-4076

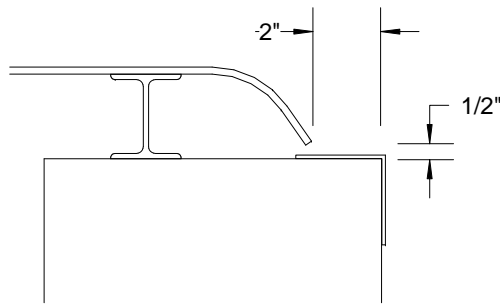
SIZE A	CAGE CODE	DWG NO Config2_6.02	REV
SCALE	SHEET		

Note: Selected applicable details from this page which are indicated on sheet SR- are typical for any and all similar conditions which exist on sheet SR-.

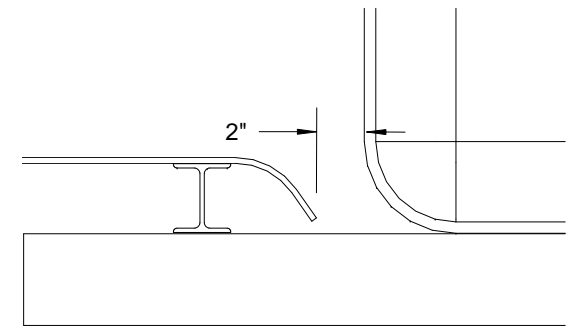


15 Detail at end wall with corner guard

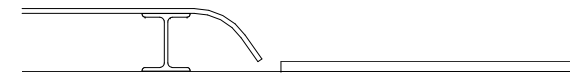
Min dimension varies with corner guard wing size.



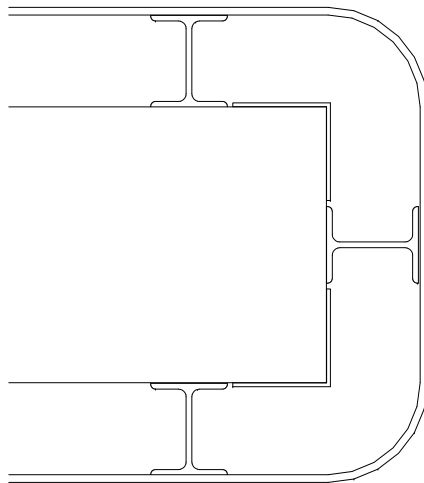
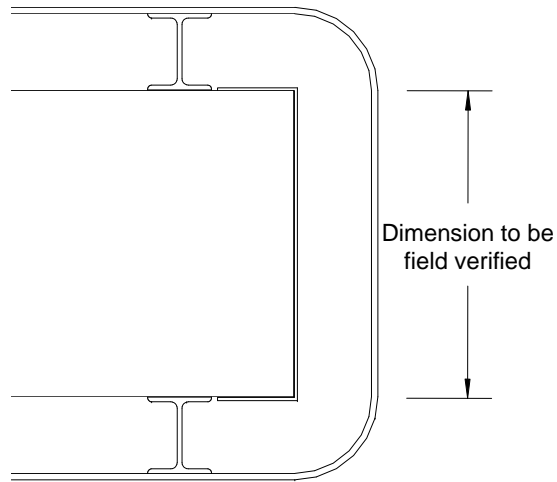
16 Return bend at corner guard



17 Return bend at sink, etc



18 Detail at wall end with "U" shaped end cap corner guard or two "L" shaped corner guards and bracket on end wall



20 Return bend at elec. panel, F.E. cabinet, etc.

Min. end wall dimension to allow for bracket placement varies with corner guard wing length

19 Detail at end wall with corner guard

Dimension to be field verified

TITLE

Sani-Rail® Standard Config 3



Life Science Products, Inc.
124 Speer Road - Chestertown, MD 21620
www.LSPinc.com

800-638-9874
(410)778-6474
Fax (410)778-4076

SIZE A	CAGE CODE	DWG NO Config3_6.03	REV
SCALE	SHEET		