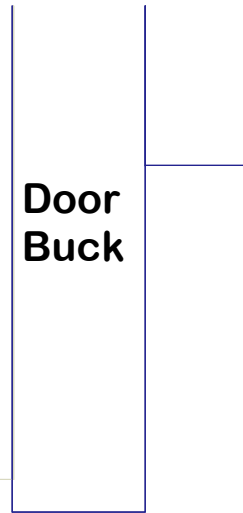
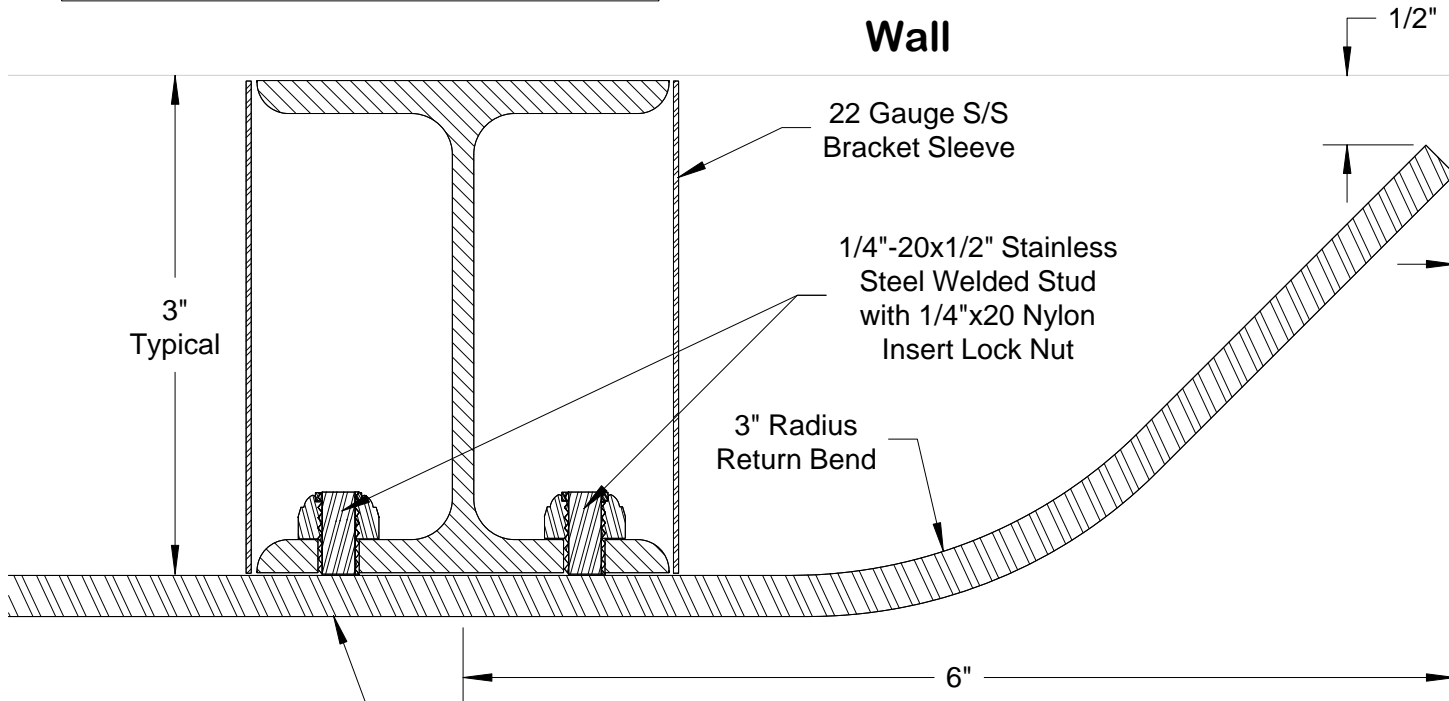


Enlarged view of fastener



Door Buck



No Visible Fasteners
at Rail Surface

NOTES: 1) Brackets to be 4'-0" on Center Maximum.

2) Installed railing system has no visible fasteners at rail, bracket, or wall.

Cut Away to Show Internal Bracket

TITLE **STAINLESS STEEL SANI-RAIL® 1/4"x4" or 1/4"x3"**

w/ 3" Offset Aluminum Bracket and Welded Stud -
No Thru Rail Penetrations or Fasteners With S/S Bracket Sleeve



Life Science Products, Inc.
124 Speer Road - Chestertown, MD 21620
www.LSPinc.com

800-638-9874
(410)778-6474
Fax (410)778-4076

SIZE A	CAGE CODE	DWG NO SSSRAB_SSBS_3.12a	REV
SCALE	SHEET		