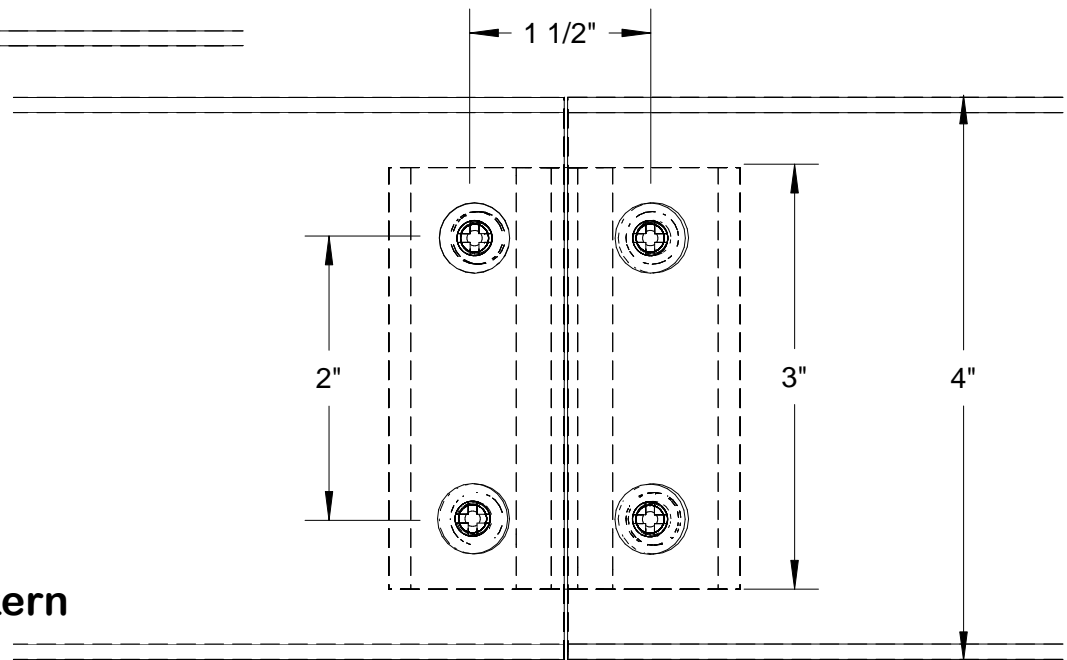


① Standard Hole Pattern
at support bracket

4' Maximum
between brackets



② Standard Hole Pattern
at splice joint

TITLE

Sani-Rail® Standard Fastener Hole Pattern



Life Science Products, Inc.
124 Speer Road - Chestertown, MD 21620
www.LSPinc.com

800-638-9874
(410)778-6474
Fax (410)778-4076

SIZE A	CAGE CODE	DWG NO SHSFHP_3.07	REV
SCALE	SHEET		