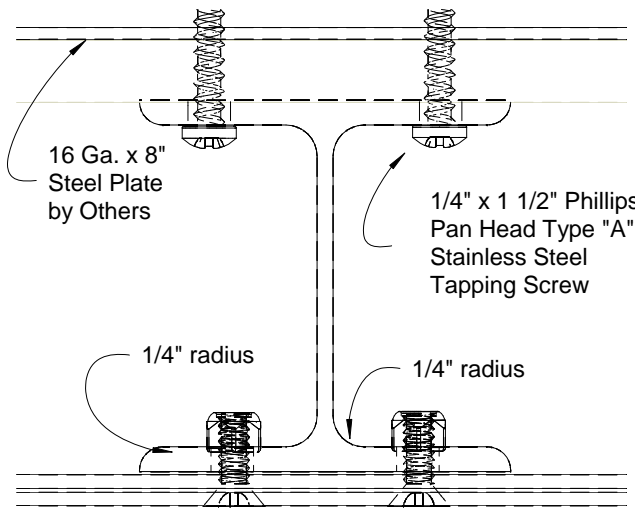


### 1 Plan



16 Ga. x 8"  
Steel Plate  
by Others

1/4" x 1 1/2" Phillips  
Pan Head Type "A"  
Stainless Steel  
Tapping Screw

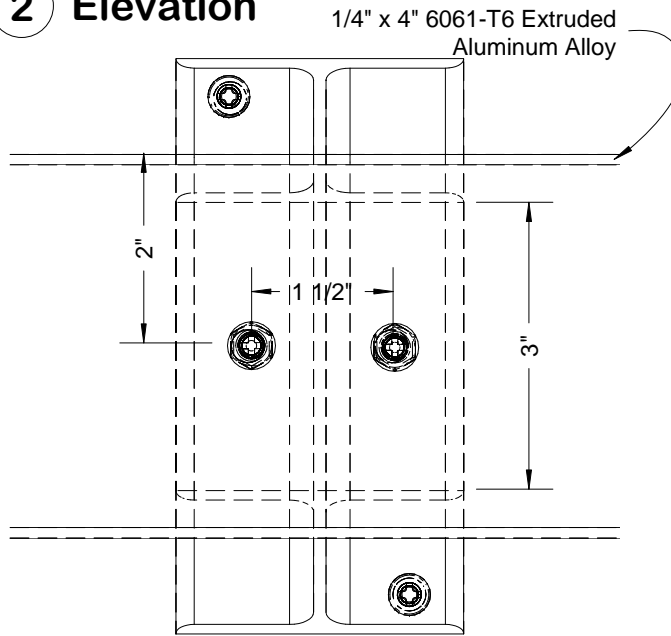
1/4" radius

1/4" radius

1/4"-20 x 3/4" Phillips Flat  
Head Stainless Steel  
Machine Screw with 1/4"-20  
Stainless Steel Lock Nut

1/4" x 4" 6061-T6  
Extruded Aluminum  
Alloy

### 2 Elevation



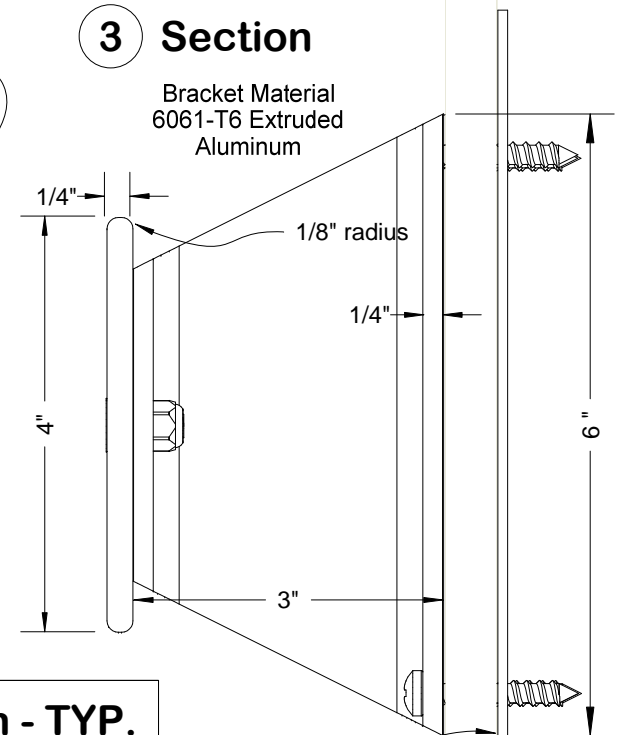
1/4" x 4" 6061-T6 Extruded  
Aluminum Alloy

2"

1 1/2"

3"

### 3 Section



Bracket Material  
6061-T6 Extruded  
Aluminum

1/4"

1/8" radius

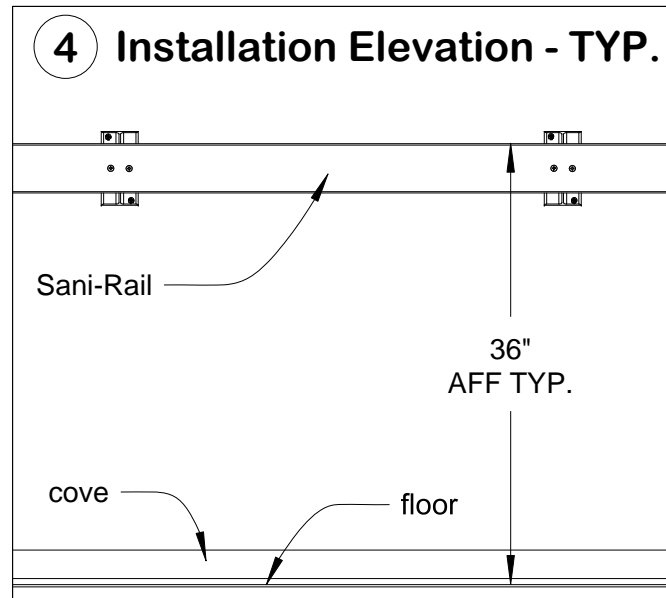
1/4"

4"

3"

6"

### 4 Installation Elevation - TYP.



Sani-Rail

36"  
AFF TYP.

cove

floor

16 Ga. x 8"  
Steel Plate  
by Others

Drywall

TITLE

## Sani-Rail® Standard with Flared Bracket and Steel Blocking



**Life Science Products, Inc.**  
124 Speer Road - Chestertown, MD 21620  
www.LSPinc.com

800-638-9874  
(410)778-6474  
Fax (410)778-4076

SIZE  
**A**

CAGE CODE

DWG NO

**SRSElev\_3.09**

REV

SCALE

SHEET