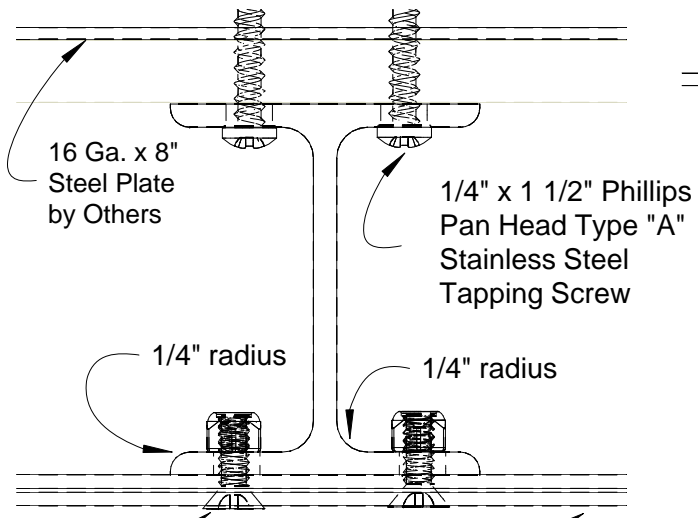


1 Plan



16 Ga. x 8"
Steel Plate
by Others

1/4" x 1 1/2" Phillips
Pan Head Type "A"
Stainless Steel
Tapping Screw

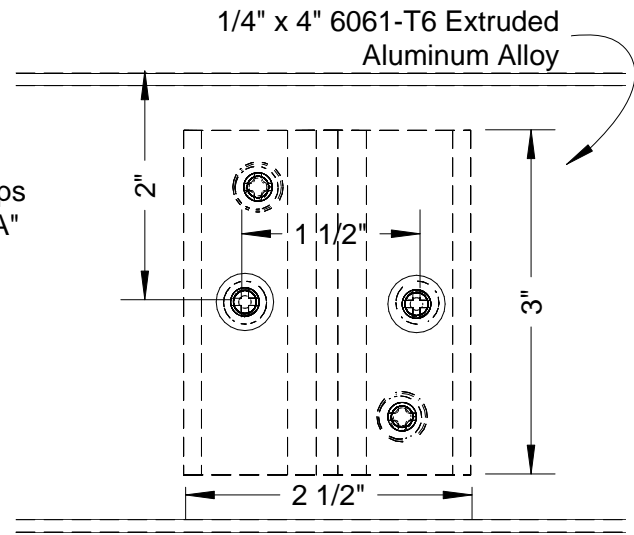
1/4" radius

1/4" radius

1/4"-20 x 3/4" Phillips Flat
Head Stainless Steel
Machine Screw with 1/4"-20
Stainless Steel Lock Nut

1/4" x 4" 6061-T6
Extruded Aluminum
Alloy

2 Elevation



1/4" x 4" 6061-T6 Extruded
Aluminum Alloy

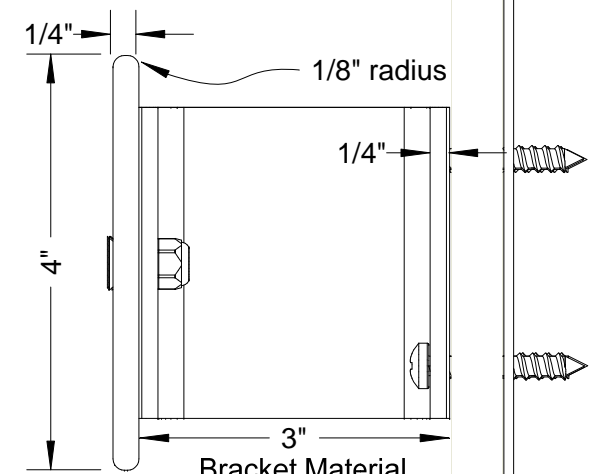
2"

1 1/2"

3"

2 1/2"

3 Section



1/4"

1/8" radius

1/4"

4"

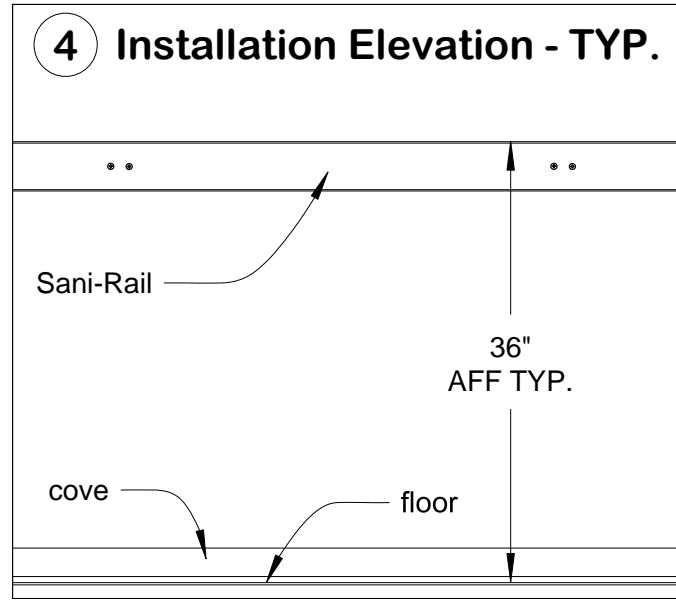
3"

Bracket Material
6061-T6 Extruded
Aluminum

16 Ga. x 8"
Steel Plate
by Others

Drywall

4 Installation Elevation - TYP.



Sani-Rail

36"
AFF TYP.

cove

floor

TITLE

Sani-Rail® Standard with Standard Bracket and Steel Blocking



Life Science Products, Inc.
124 Speer Road - Chestertown, MD 21620
www.LSPinc.com

800-638-9874
(410)778-6474
Fax (410)778-4076

SIZE
A
SCALE

CAGE CODE

DWG NO

SRSElev_3.08

REV

SHEET