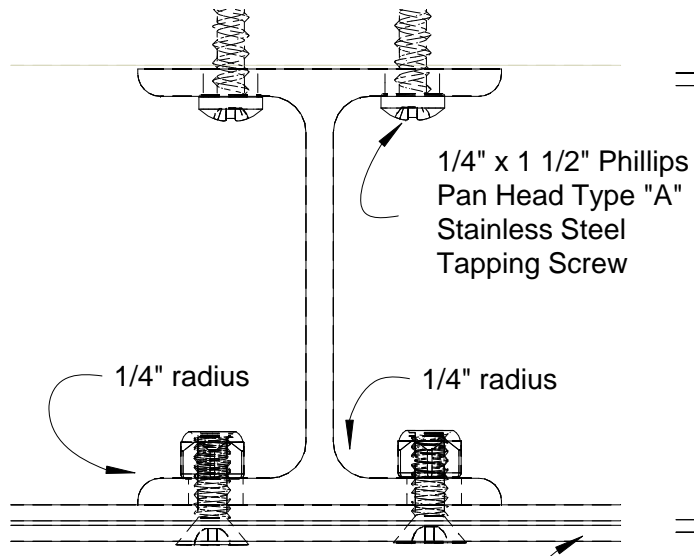
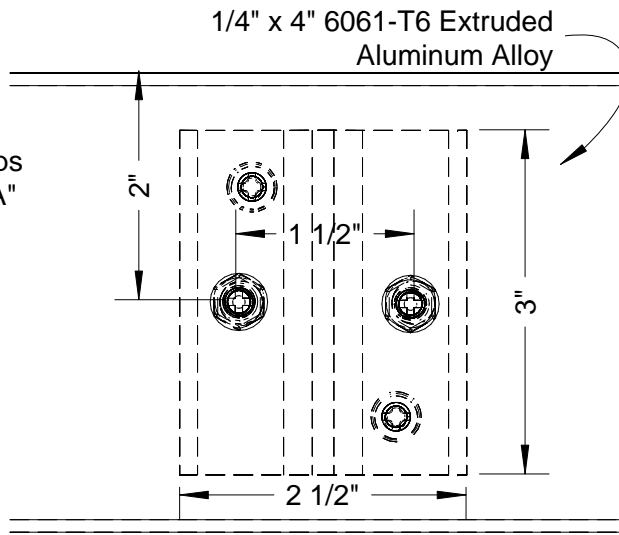


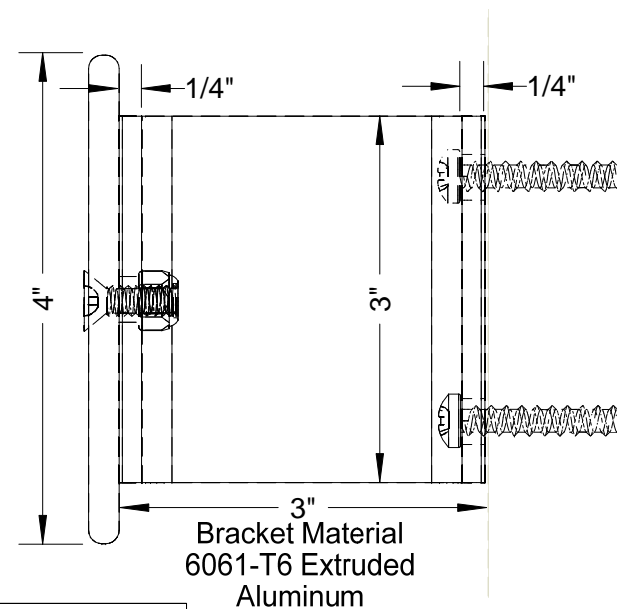
**1 Plan**



**2 Elevation**



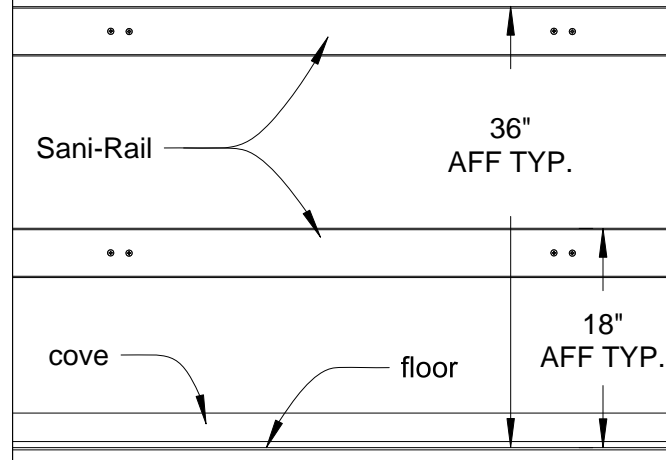
**3 Section**



1/4"-20 x 3/4" Phillips Flat Head Stainless Steel Machine Screw with 1/4"-20 Stainless Steel Lock Nut

1/4" x 4" 6061-T6 Extruded Aluminum Alloy

**4 Installation Elevation - TYP.**



TITLE

**Sani-Rail® Standard Elevation for Double Rail System**



**Life Science Products, Inc.**  
124 Speer Road - Chestertown, MD 21620  
www.LSPinc.com

800-638-9874  
(410)778-6474  
Fax (410)778-4076

SIZE <b>A</b>	CAGE CODE	DWG NO <b>SRSElev_3.05</b>	REV
SCALE	SHEET		