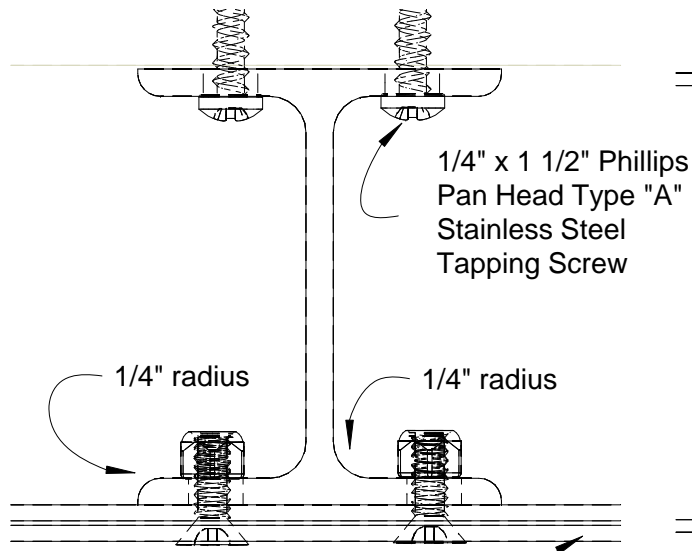
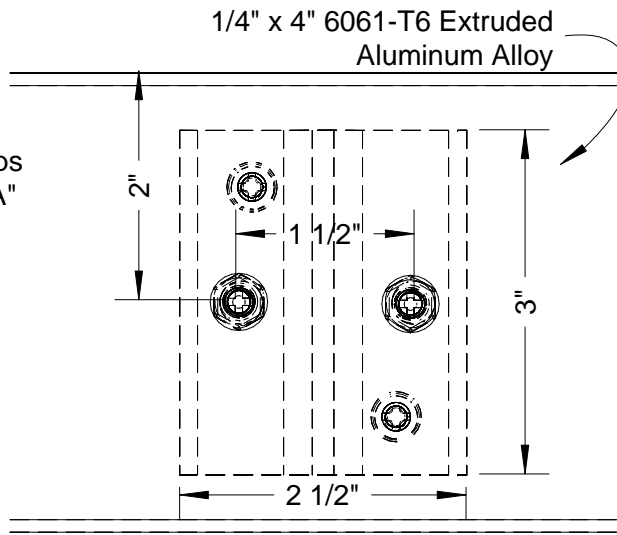


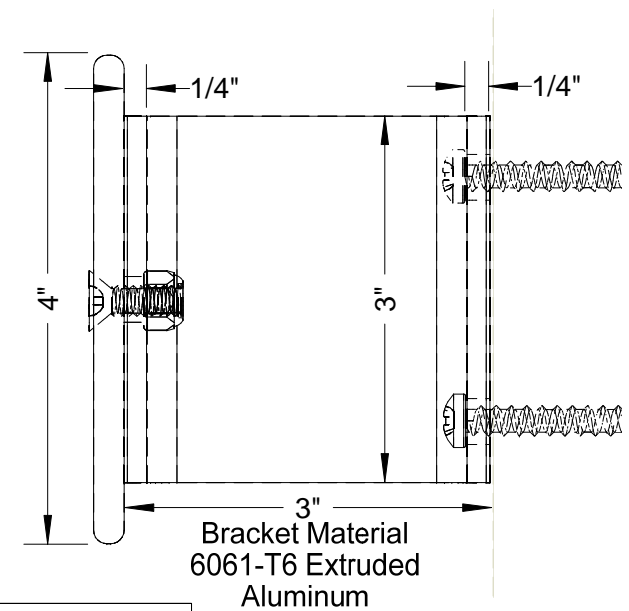
1 Plan



2 Elevation



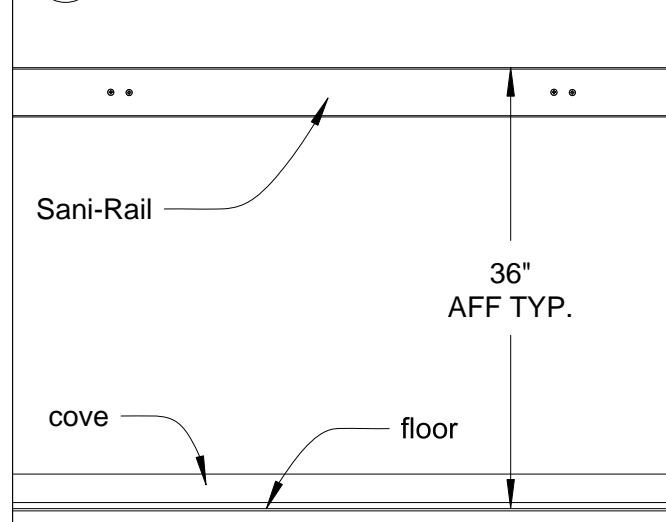
3 Section



1/4"-20 x 3/4" Phillips Flat Head Stainless Steel Machine Screw with 1/4"-20 Stainless Steel Lock Nut

1/4" x 4" 6061-T6 Extruded Aluminum Alloy

4 Installation Elevation - TYP.



TITLE

Sani-Rail® Standard Elevation



Life Science Products, Inc.
124 Speer Road - Chestertown, MD 21620
www.LSPinc.com

800-638-9874
(410)778-6474
Fax (410)778-4076

SIZE A	CAGE CODE	DWG NO SRSElev_3.04	REV
SCALE	SHEET		