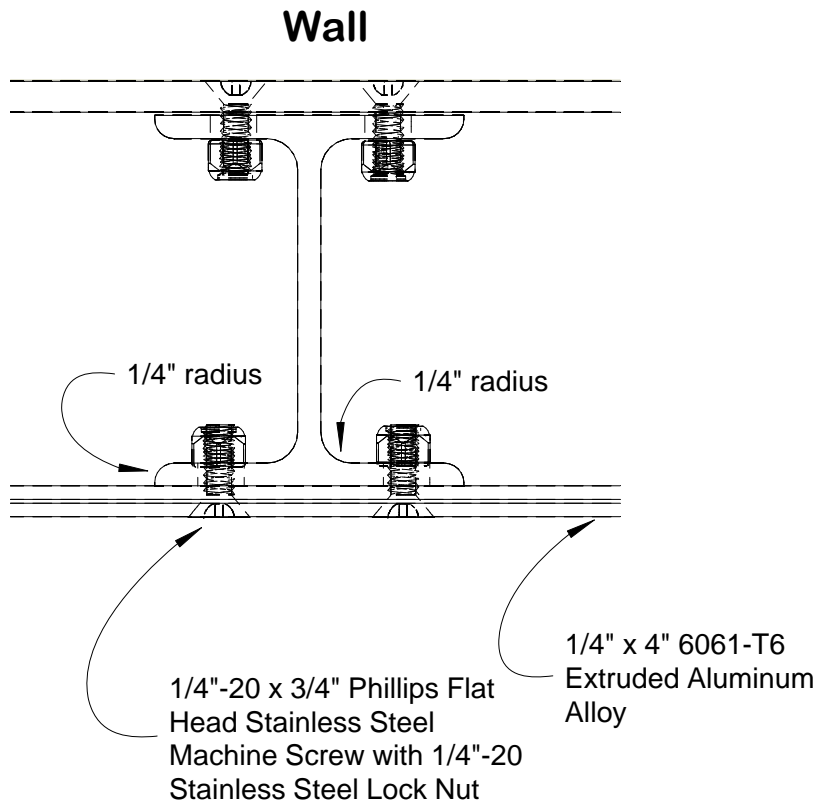
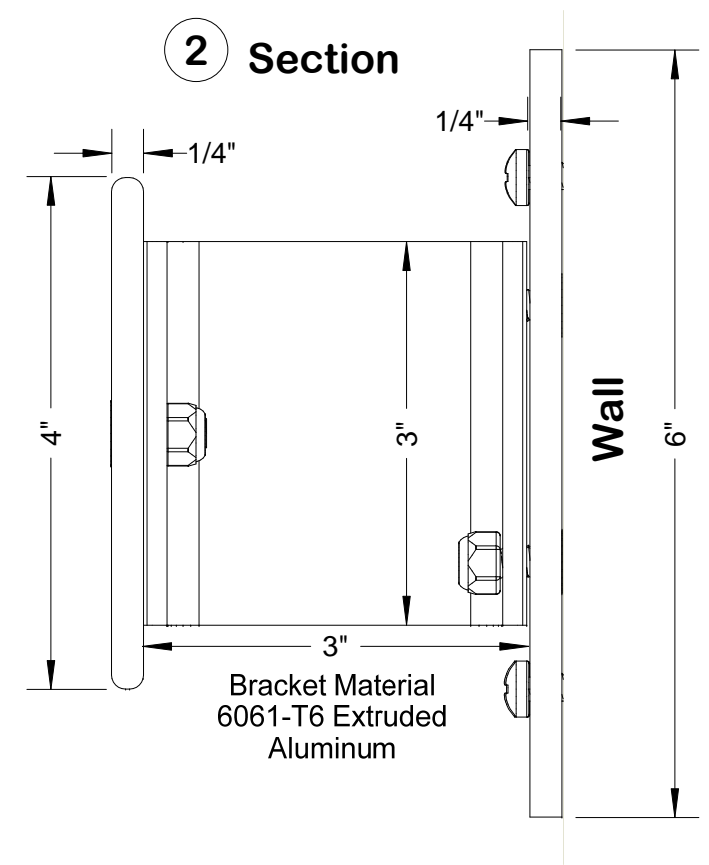


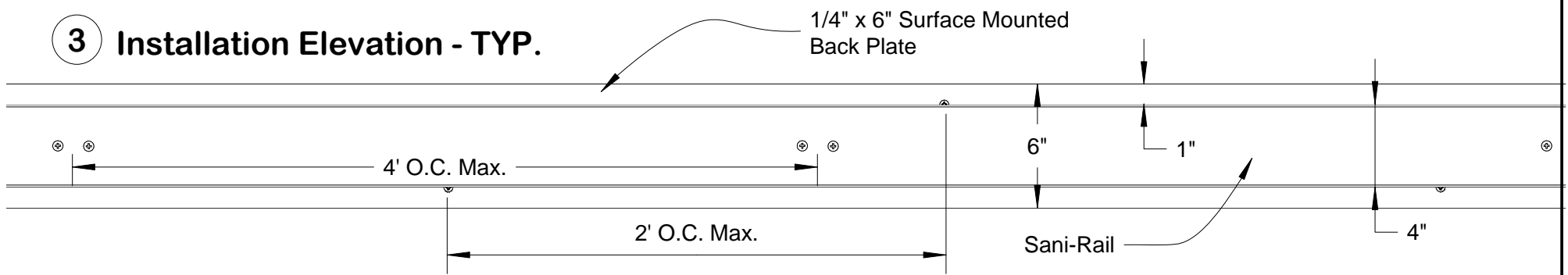
1 Plan



2 Section



3 Installation Elevation - TYP.



TITLE **Sani-Rail® Standard Elevation with Surface Mounted Backplate**



Life Science Products, Inc.
 124 Speer Road - Chestertown, MD 21620
 www.LSPinc.com

800-638-9874
 (410)778-6474
 Fax (410)778-4076

SIZE A	CAGE CODE	DWG NO SRSElevBP_3.10	REV
SCALE	SHEET		