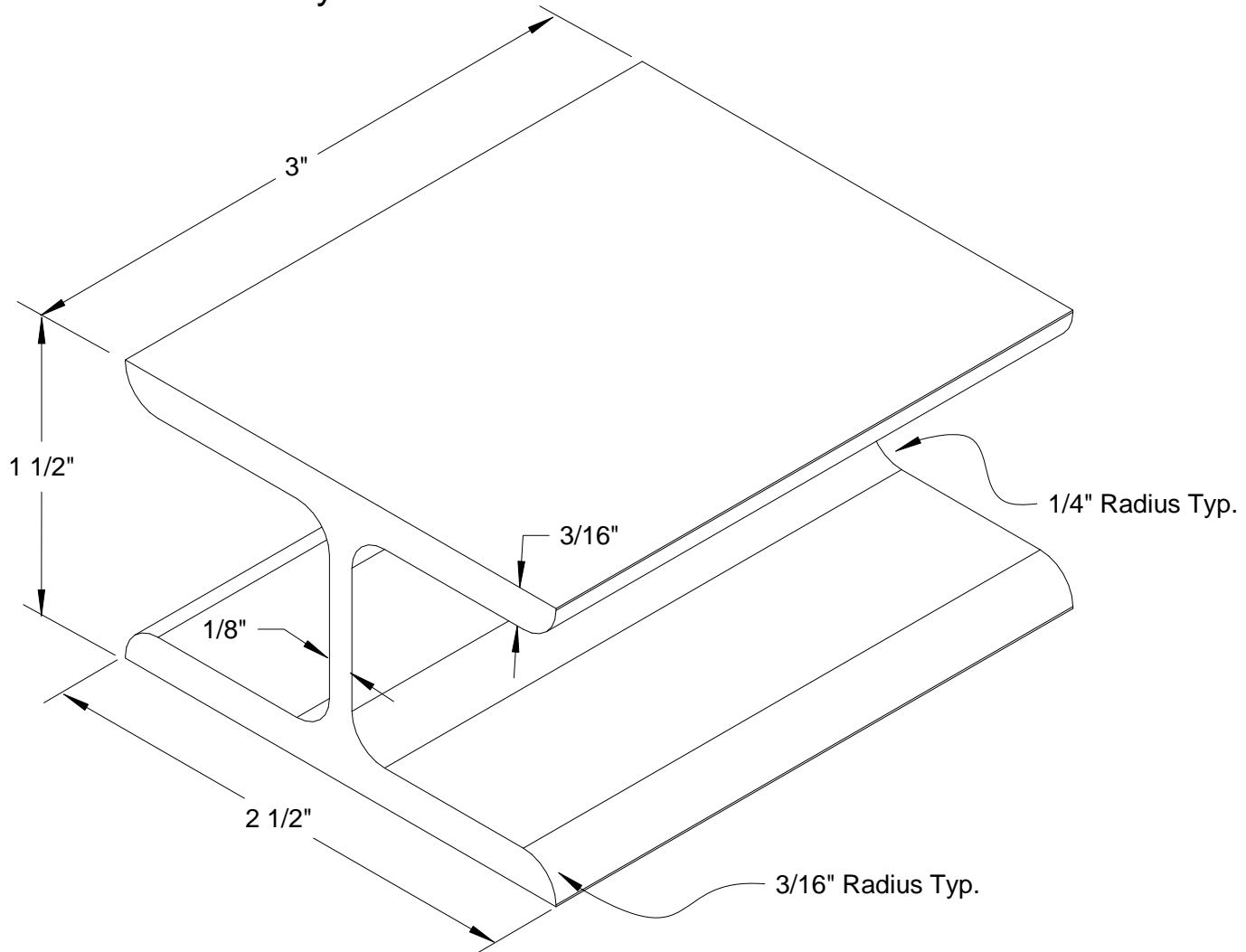


6061-T6 Anodized Aluminum Alloy



TITLE

Sani-Rail® 1 1/2" Aluminum I Beam Bracket

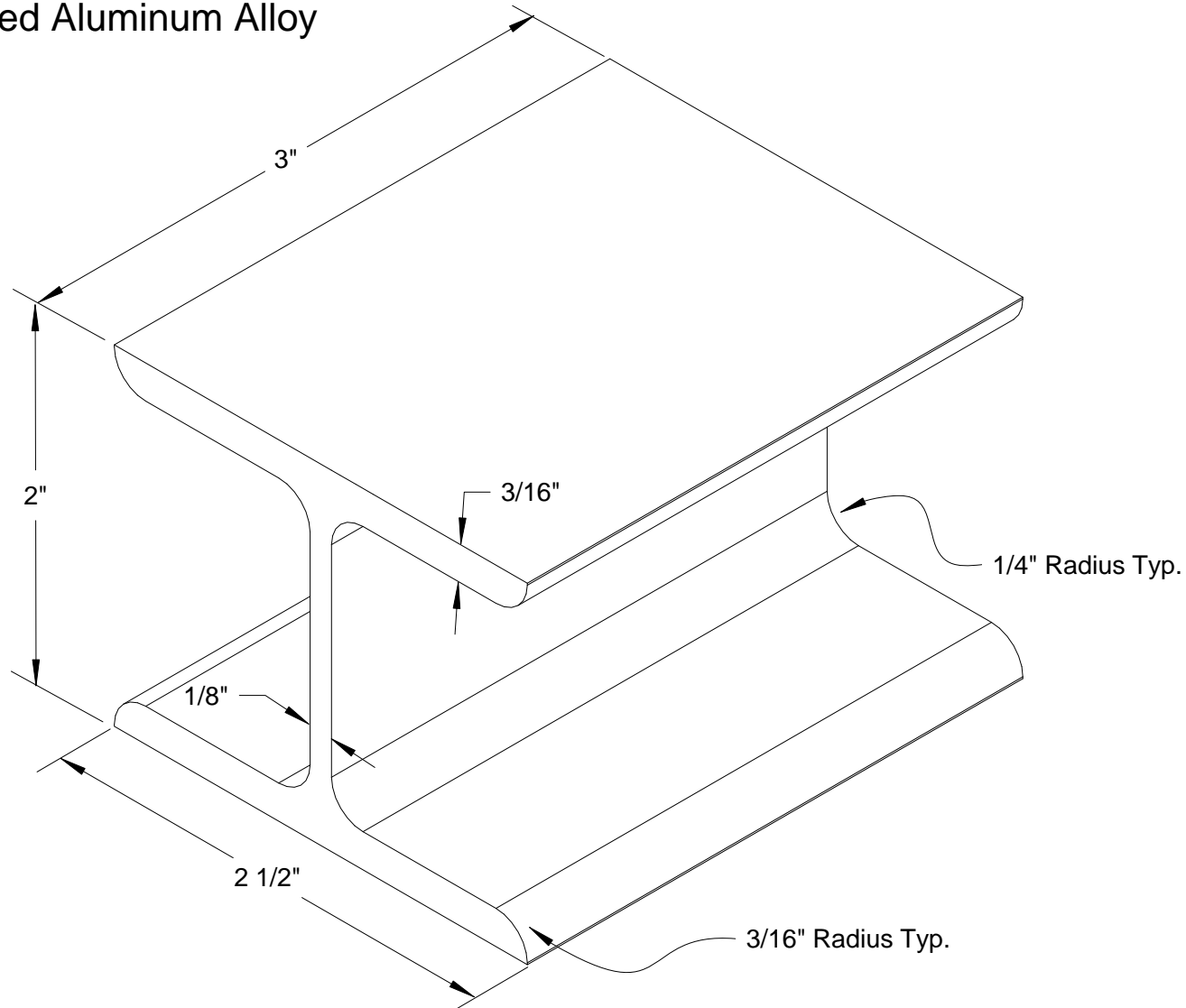


Life Science Products, Inc.
124 Speer Road Chestertown, MD 21620
www.LSPinc.com

800-638-9874
(410)778-6474
Fax (410)778-4076

SIZE A	CAGE CODE	DWG NO SRBra_8.01	REV
SCALE	SHEET		

6061-T6 Anodized Aluminum Alloy



TITLE **Sani-Rail® 2" Aluminum I Beam Bracket**



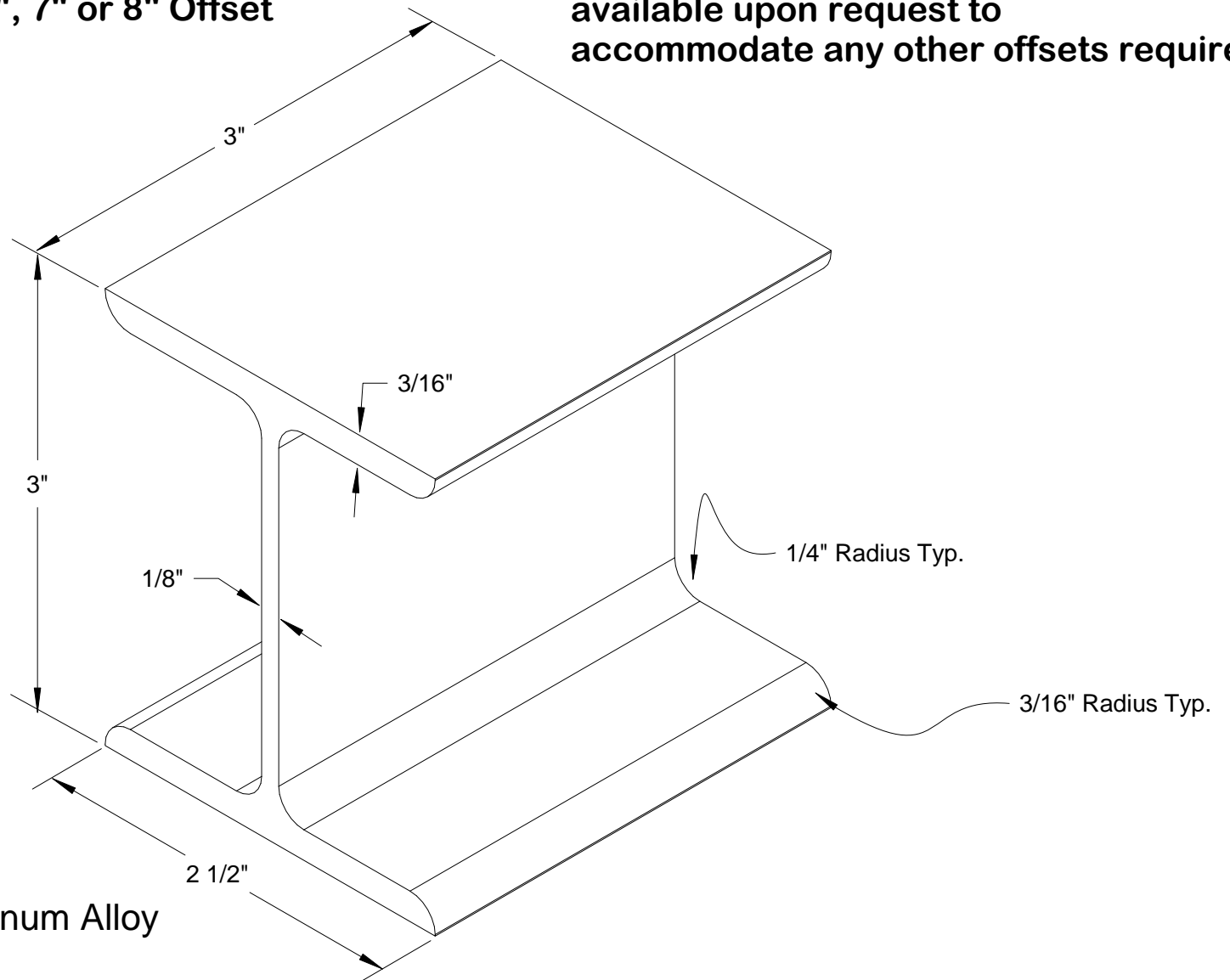
Life Science Products, Inc.
124 Speer Road - Chestertown, MD 21620
www.LSPinc.com

800-638-9874
(410)778-6474
Fax (410)778-4076

SIZE A	CAGE CODE	DWG NO SRBra_8.02	REV
SCALE		SHEET	

Aluminum I Beam Bracket Available with:
 1 1/2", 2", 3", 4", 5", 6", 7" or 8" Offset

Custom Fabricated Brackets are
 available upon request to
 accommodate any other offsets required.



6061-T6 Anodized Aluminum Alloy

TITLE **Sani-Rail® 3" Aluminum I Beam Bracket**

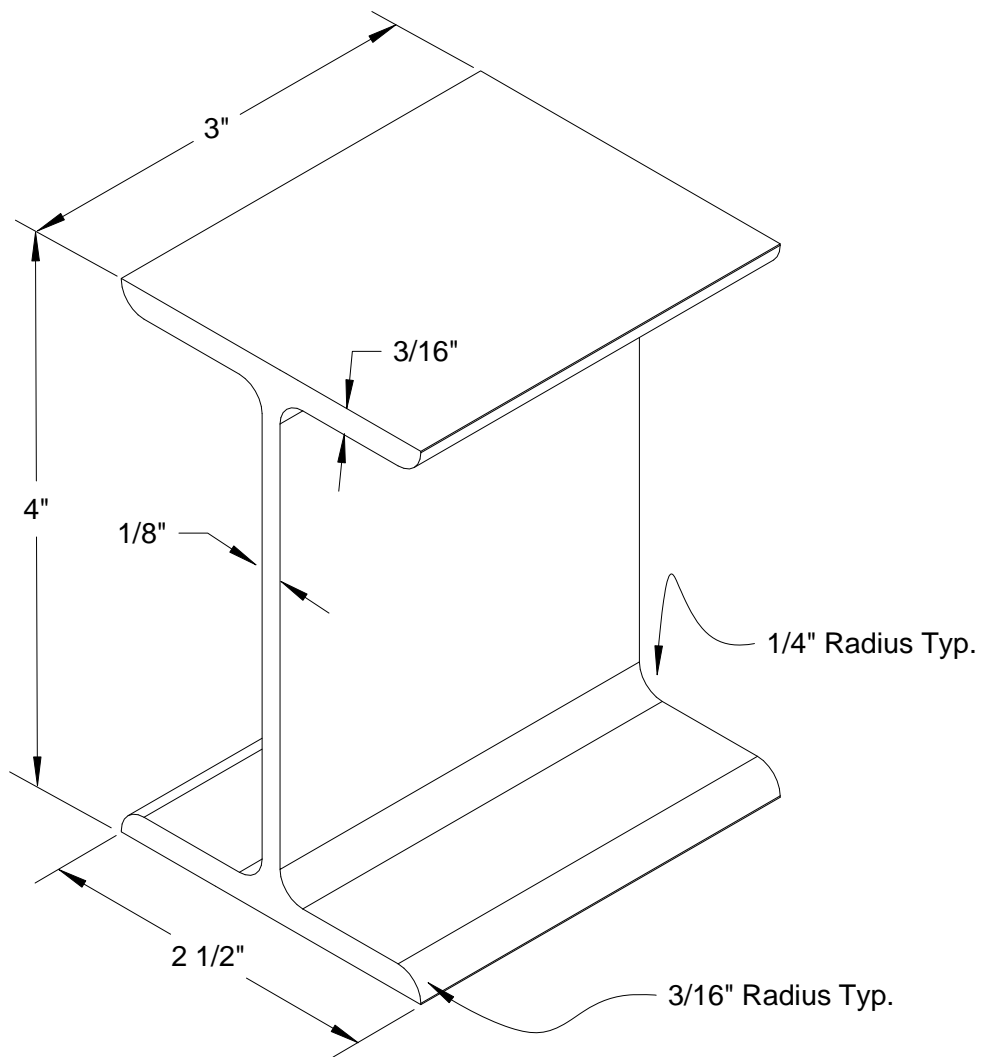


Life Science Products, Inc.
 124 Speer Road - Chestertown, MD 21620
 www.LSPinc.com

800-638-9874
 (410)778-6474
 Fax (410)778-4076

SIZE A	CAGE CODE	DWG NO SRBra_8.03	REV
SCALE	SHEET		

6061-T6 Anodized Aluminum Alloy



TITLE **Sani-Rail® 4" Aluminum I Beam Bracket**

SIZE A	CAGE CODE	DWG NO SRBra_8.04	REV
------------------	-----------	-----------------------------	-----

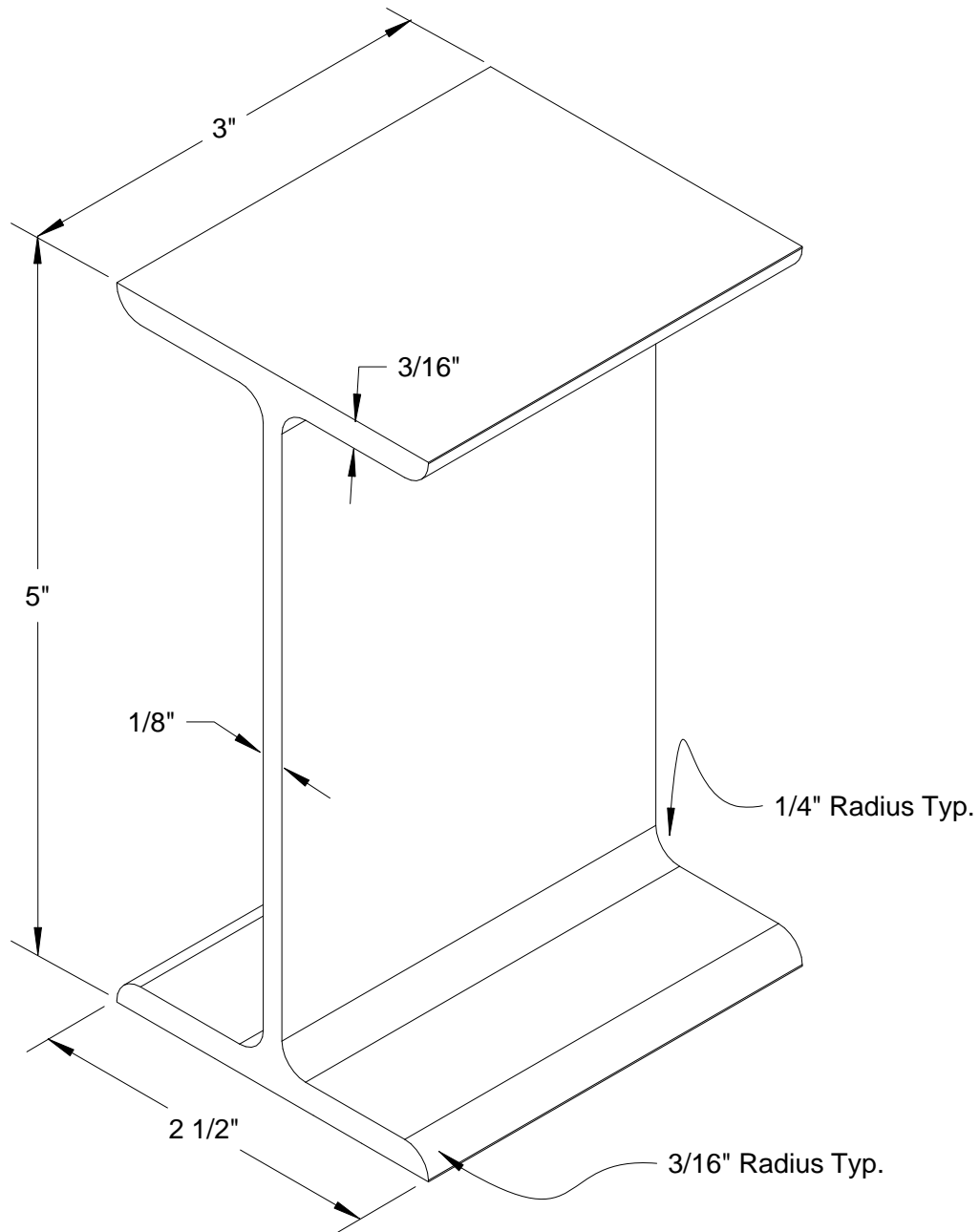


Life Science Products, Inc.
124 Speer Road - Chestertown, MD 21620
www.LSPinc.com

800-638-9874
(410)778-6474
Fax (410)778-4076

SCALE
SHEET

6061-T6 Anodized Aluminum Alloy



TITLE **Sani-Rail® 5" Aluminum I Beam Bracket**

SIZE A	CAGE CODE	DWG NO SRBra_8.05	REV
------------------	-----------	-----------------------------	-----

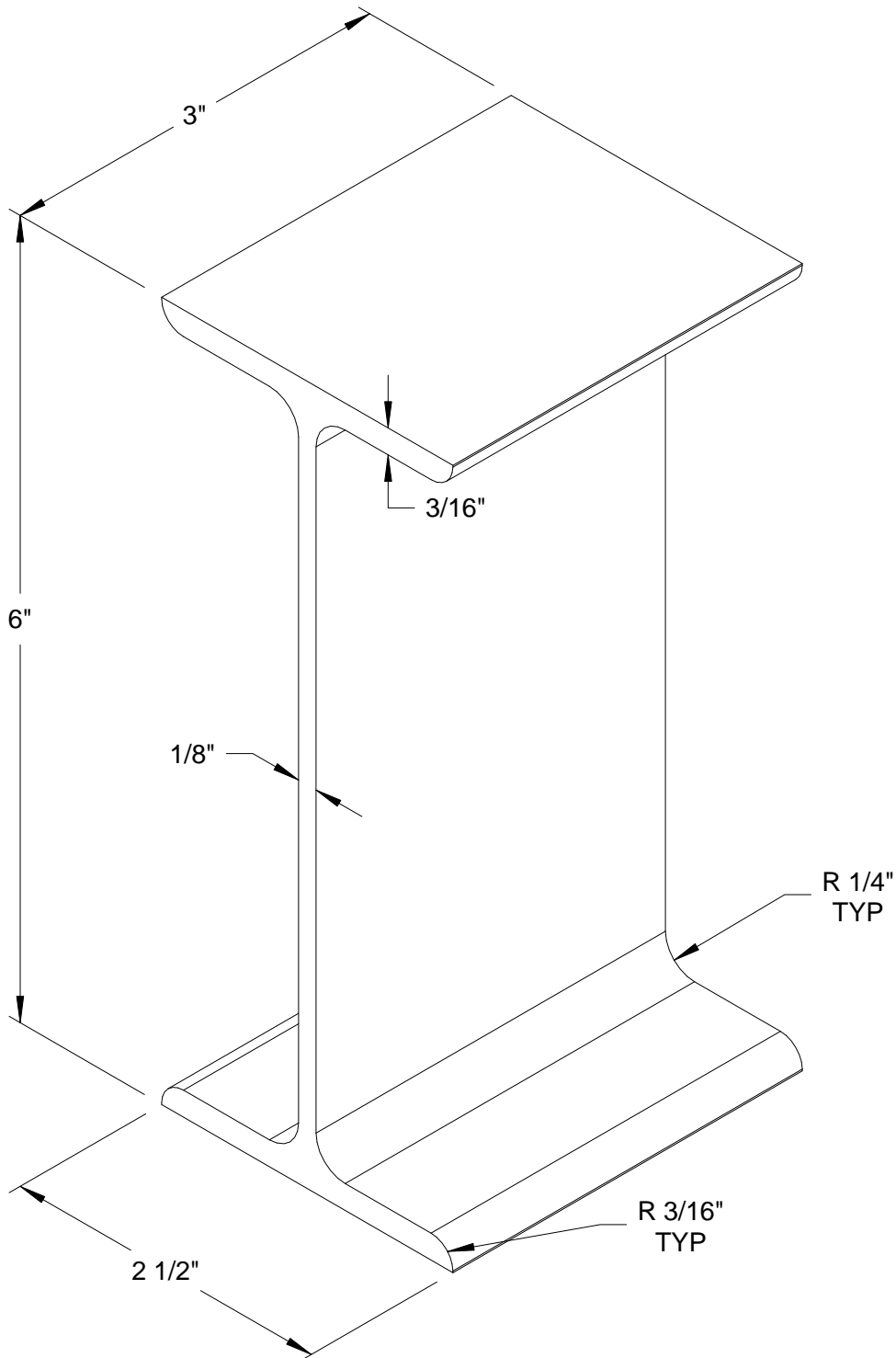


Life Science Products, Inc.
124 Speer Road - Chestertown, MD 21620
www.LSPinc.com

800-638-9874
(410)778-6474
Fax (410)778-4076

SCALE
SHEET

6061-T6 Anodized Aluminum Alloy



TITLE **Sani-Rail® 6" Aluminum I Beam Bracket**

SIZE A	CAGE CODE	DWG NO SRBra_8.06	REV
------------------	-----------	-----------------------------	-----

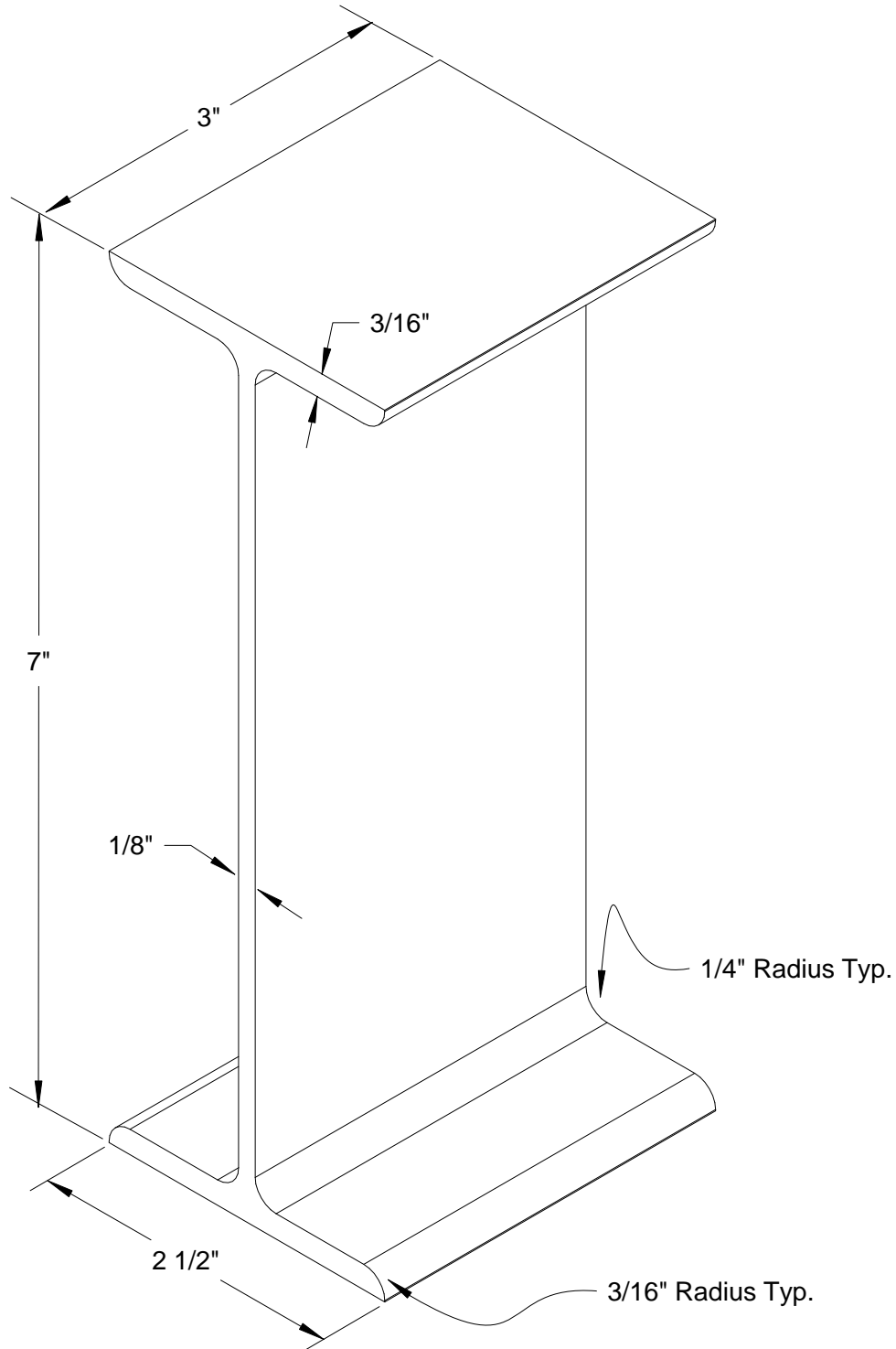


Life Science Products, Inc.
124 Speer Road - Chestertown, MD 21620
www.LSPinc.com

800-638-9874
(410)778-6474
Fax (410)778-4076

SCALE
SHEET

6061-T6 Anodized Aluminum Alloy



TITLE **Sani-Rail® 7" Aluminum I Beam Bracket**

SIZE
A

CAGE CODE

DWG NO

SRBra_8.07

REV



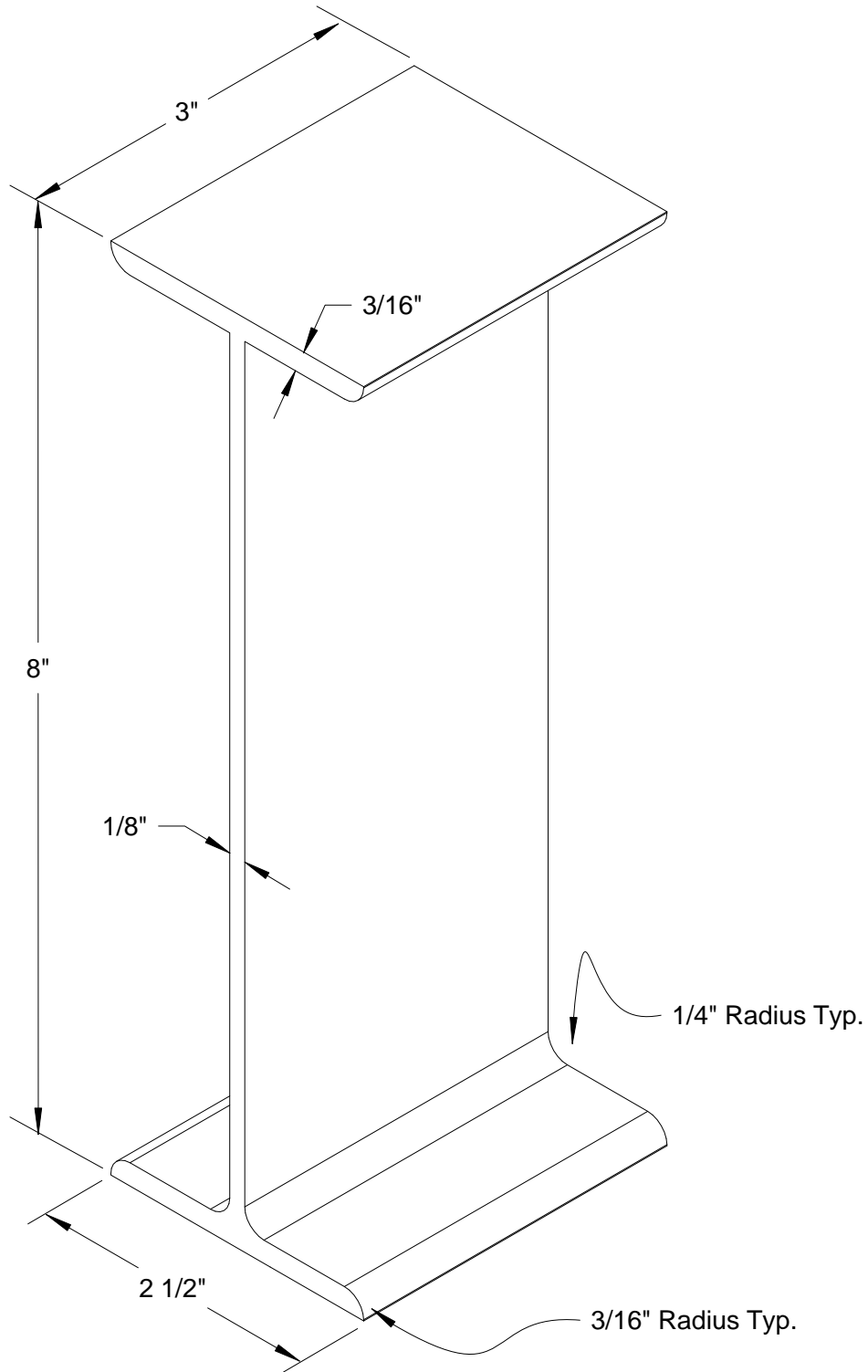
Life Science Products, Inc.
124 Speer Road - Chestertown, MD 21620
www.LSPinc.com

800-638-9874
(410)778-6474
Fax (410)778-4076

SCALE

SHEET

6061-T6 Anodized Aluminum Alloy



TITLE **Sani-Rail® 8" Aluminum I Beam Bracket**

SIZE
A

CAGE CODE

DWG NO

SRBra_8.08

REV



Life Science Products, Inc.
124 Speer Road - Chestertown, MD 21620
www.LSPinc.com

800-638-9874
(410)778-6474
Fax (410)778-4076

SCALE

SHEET