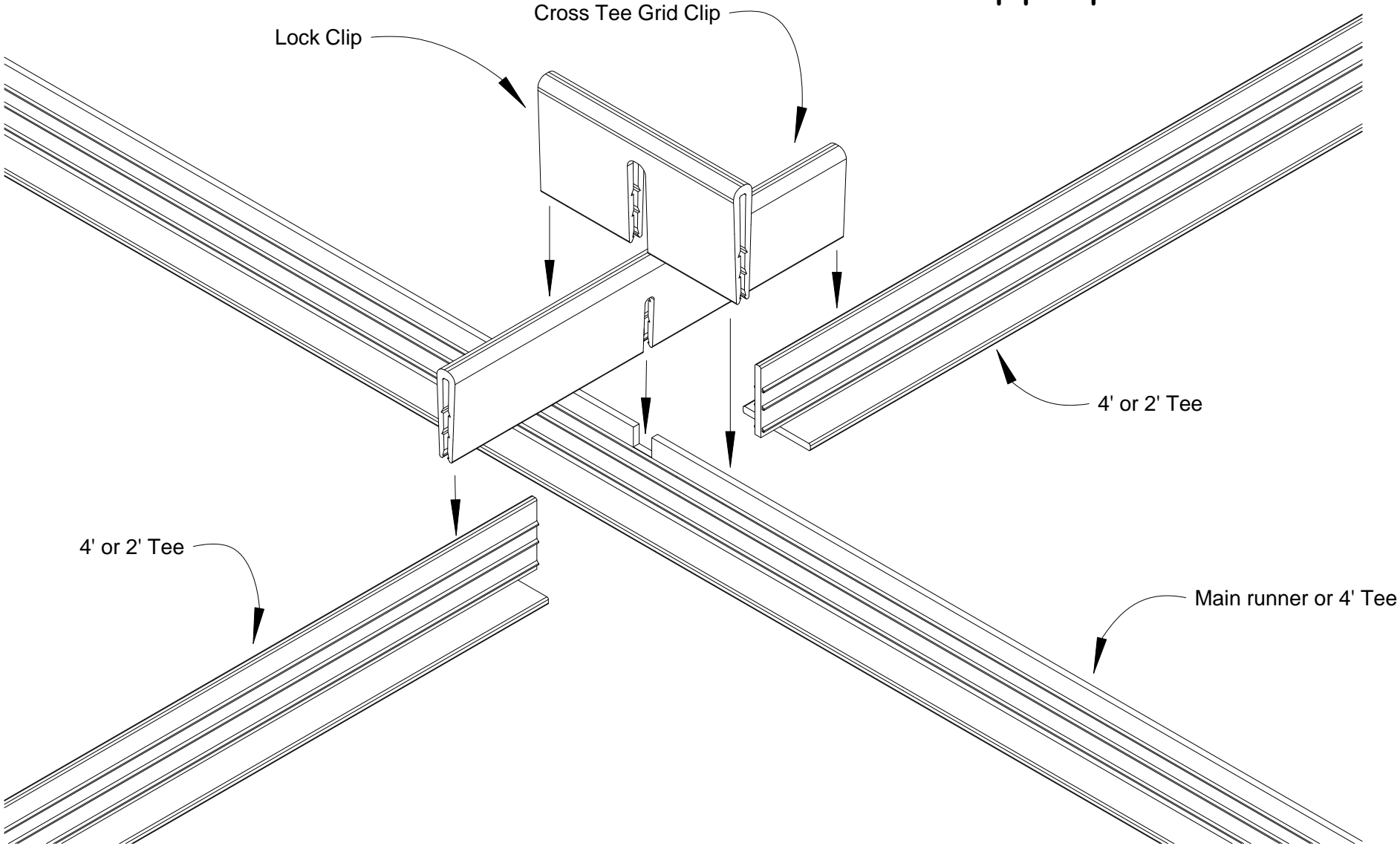


Top perspective view



TITLE **GridLock™ Exploded View of Complete Standard Grid Assembly**



Life Science Products, Inc.
 124 Speer Road - Chestertown, MD 21620
 www.LSPinc.com

800-638-9874
 (410)778-6474
 Fax (410)778-4076

| | | | | |
|------------------|-----------|--------|------------------|-----|
| SIZE A | CAGE CODE | DWG NO | GL_c3.01c | REV |
| SCALE | SHEET | | | |